

AMX526 Paging Microphone

For more than a decade the AMX526 has been the industry standard in desktop paging applications. The AMX526's frequency response is tailored specifically for voice paging applications.

The heavy duty gooseneck provides the reliability you'd expect from a commercial grade product. The momentary and latching switch also provides dry contact closure operation to trigger per announcement paging tones.

The AMX526 is recommend for commercial paging applications such as dispatch paging, hospitality paging, school paging and many other commercial paging applications.

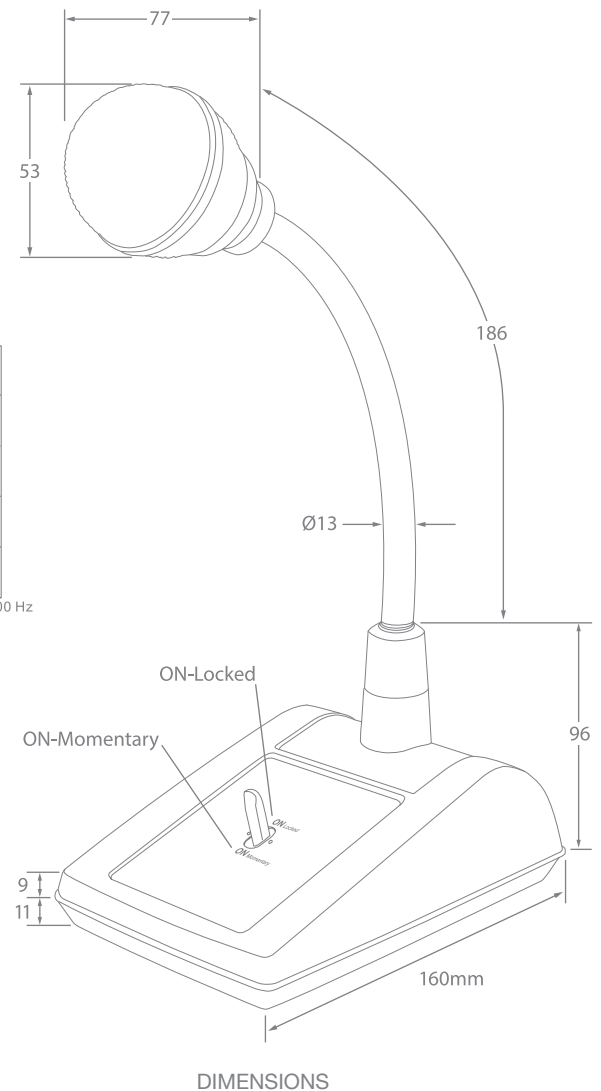
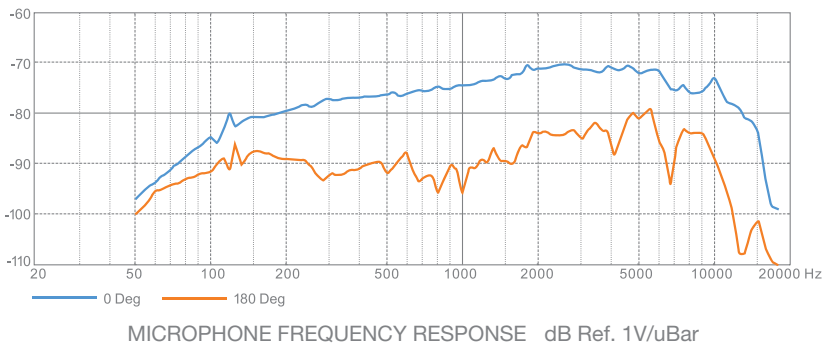
FEATURES

- Rugged dynamic capsule
- Heavy duty gooseneck
- Tailored for voice paging
- Momentary push to talk or (ON) toggle switch
- Dry contact closure trigger



SPECIFICATIONS

| | |
|-------------------------------|--|
| TRANSDUCER TYPE | Dynamic |
| POLAR PATTERN | Cardioid |
| FREQUENCY RESPONSE | 80Hz – 12Khz |
| SENSITIVITY | -70dB ± 3dB |
| ELECTRICAL IMPEDANCE | 600Ω |
| FINISH | Matte black with silver face plate |
| CABLE | XLR 3 pin terminated 5 core cable 2.0 meters |
| AUDIO CONNECTION | Pin 2 + (Red) Pin 3 – (Black) Pin 1 Earth (Shield) |
| DRY CONTACT | Yellow and White conductors inside XLR connector |
| NET WEIGHT | 980g |
| SHIPPING DIMENSIONS H x W x D | 270 x 185 x 130 mm |



ENGINEERED BY AUSTRALIAN MONITOR

Address: Unit 1, 2 Daydream Street, Warriewood, NSW Australia.

Website: www.australianmonitor.com.au

International enquiries email: international@australianmonitor.com.au

ABN 35 007 573 417