

Product Specifications

Beta® 27 Supercardioid Condenser Microphone

Overview

The Beta 27 side-address condenser microphone is precision engineered for professional sound reinforcement and project studio recording applications. Its flat frequency response and low self noise provide unerring performance in demanding environments. A tight supercardioid pattern insures high gain-before-feedback and maximum isolation from other sound sources.

Features

- Supercardioid polar pattern specifically targets the sound source consistently with greatly minimized bleed from off-axis sound sources
- Tailored for superior transient response from a low-mass, 1° externally-biased, ultra-thin 24 Karat gold-layered Mylar® diaphragm.
- Flat, neutral frequency response for natural reproduction on stage or in the studio
- 3-position switchable low-frequency filter helps reduce unwanted background noise or counteract proximity effect for consistent, extended low-end
- -15 dB switchable attenuator handles extremely high SPLs with ease
- Premium electronic components and gold-plated internal and external connectors
- Internal pop filter with three separate mesh layers reduces wind and breath noise.

Available Models

Beta 27	Includes Stand Adapter and Padded Zippered Pouch
----------------	--



Beta 27

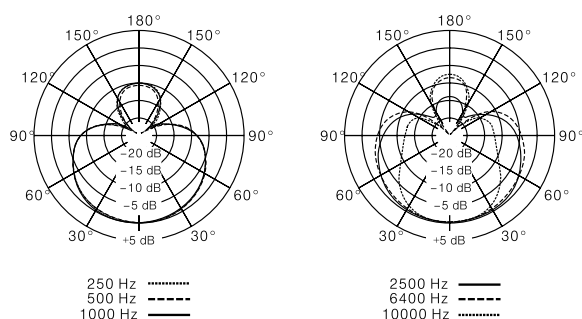
Specifications

Type	Condenser (externally biased)
Frequency Response	20 to 20,000 Hz
Polar Pattern	Supercardioid
Impedance	160 Ω
Sensitivity (at 1 kHz, open circuit voltage)	-37 dBV/Pa 1 Pascal=94 dB SPL
Maximum SPL (1 kHz at 1% THD)	1000 Ω load: 134 dB (148 dB, Pad on) 2500 Ω load: 140 dB (154 dB, Pad on)
Signal-to-Noise Ratio (referenced at 94 dB SPL at 1 kHz)	85.5 dB <i>S/N ratio is difference between 94 dB SPL and equivalent SPL of self noise, A-weighted</i>
Dynamic Range (at 1 kHz)	1000 Ω load: 125.5 dB 2500 Ω load: 131.5 dB
Common Mode Rejection (20 Hz to 20 kHz)	> 50 dB
Clipping Level (20Hz-20 kHz at 1% THD)	1000 Ω load: 2.0 dBV 2500 Ω load: 8.5 dBV THD of microphone preamplifier when applied input signal is equivalent to cartridge output at specified SPL
Self Noise (typical, equivalent SPL, A-weighted)	8.5 dB
Polarity	Positive pressure on diaphragm produces positive voltage on pin 2 with respect to pin 3
Weight	Net: 428 g (15.1 oz.)
Switch	Attenuator: -15 dB Low Frequency Response: flat; -6 dB/octave below 115 Hz; -18 dB/octave below 80 Hz
Connector	Three-pin professional audio (XLR), male
Power Requirements	48 Vdc phantom, 5.6 mA

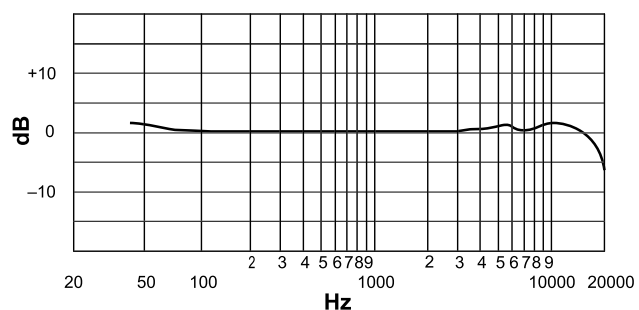
Accessories and Replacement Parts

A32M	ShureLock® Black Swivel Adapter	A27ZB	Zippered Pouch	A32WS	Windscreen
A27SM	ShureLock® Rubber Isolated Shock Mount	PS-6	Popper Stopper™		

Polar Pattern



Frequency Response



SHURE®

LEGENDARY
PERFORMANCE™

www.shure.com

©2015 Shure Incorporated