

Product Specifications

SM27 Cardioid Condenser Microphone

Overview

The SM27 is a rugged and versatile large-diaphragm, side-address cardioid condenser microphone, with low self-noise and extended frequency response that picks up vocal and instrument nuances with clarity. Durable Shure construction features three separate mesh layers that reduce wind and breath noise. Equally comfortable on stage or in the studio.

Features

- Cardioid polar pattern—the most commonly used pattern for both studio and live applications
- 1 inch, externally biased, ultra-thin, 2.5 µm, 24 Karat gold-layered, low mass, Mylar® diaphragm provides superior transient response
- Class A, discrete, transformerless preamplifier for transparency, extremely fast transient response and no crossover distortion, while minimizing harmonic and intermodulation distortions
- Premium electronic components and gold-plated internal and external connectors
- Subsonic filter eliminates rumble from mechanical vibration below 17 Hz
- Switchable 15 dB pad for handling extremely high sound pressure levels (SPLs)
- 3-position switchable low-frequency filter helps reduce unwanted background noise or counteract proximity effect
- Integrated three-stage “pop” protection grille reduces plosives and other breath noise
- Internal shock mount reduces handling and stand noise

Available Models

SM27	Includes Stand Adapter and Zippered Pouch
-------------	---

Specifications

Type	Condenser (externally biased)
Frequency Response	20 to 20,000 Hz
Polar Pattern	Cardioid
Impedance	150 Ω (140 Ω actual)
Sensitivity <i>(at 1 kHz, open circuit voltage)</i>	-37 dBV/Pa <i>1 Pascal=94 dB SPL</i>
Maximum SPL <i>(1 kHz at 1% THD)</i>	1000 Ω load: 133 dB (147 dB, Pad on) 2500 Ω load: 138 dB (152 dB, Pad on)
Signal-to-Noise Ratio <i>(referenced at 94 dB SPL at 1 kHz)</i>	84.5 dB <i>S/N ratio is difference between 94 dB SPL and equivalent SPL of self noise, A-weighted</i>
Dynamic Range <i>(at 1 kHz)</i>	1000 Ω load: 123 dB 2500 Ω load: 128 dB
Common Mode Rejection <i>(20 Hz to 20 kHz)</i>	> 50 dB
Clipping Level <i>(20Hz-20 kHz at 1% THD)</i>	1000 Ω load: 1 dBV 2500 Ω load: 7 dBV <i>THD of microphone preamplifier when applied input signal is equivalent to cartridge output at specified SPL</i>
Self Noise <i>(typical, equivalent SPL, A-weighted)</i>	9.5 dB
Polarity	Positive pressure on diaphragm produces positive voltage on pin 2 with respect to pin 3
Weight	Net: 642 g (22.6 oz.)
Switch	Attenuator: -15 dB Low Frequency Response: flat; -6 dB/octave below 115 Hz; -18 dB/octave below 80 Hz
Connector	Three-pin professional audio (XLR), male
Power Requirements	48 Vdc phantom, 5.4 mA

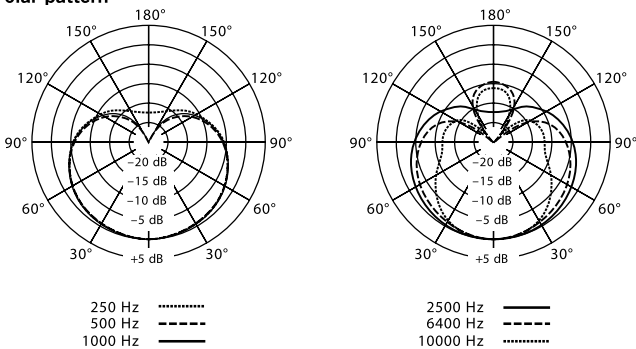


SM27

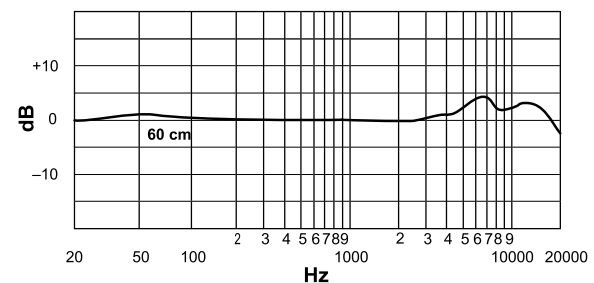
Optional Accessories and Replacement Parts

A27SM	ShureLock™ Rubber Isolated Shock Mount	A322B	Zippered Pouch	A32WS	Windscreen
RPM64Z	Replacement Rubber Rings for Shock Mount (contains four)	PS6	Popper Stopper™		

Polar pattern



Frequency response



SHURE®

LEGENDARY
PERFORMANCE™

www.shure.com

©2015 Shure Incorporated