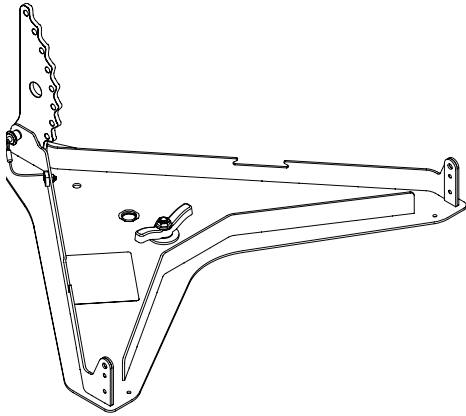




SRX910LA BP

Base Plate for SRX910LA Arrays

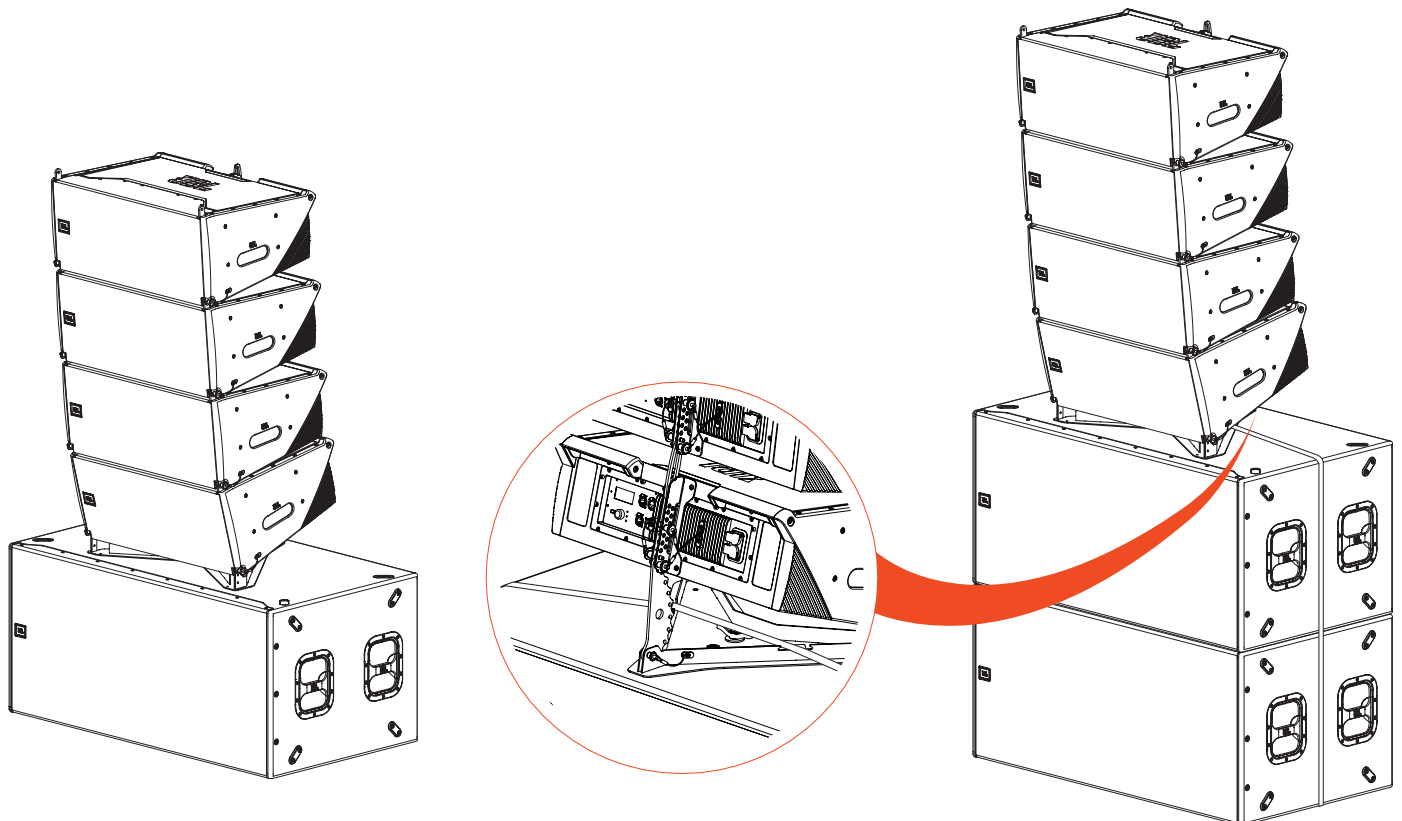


HIGHLIGHTS

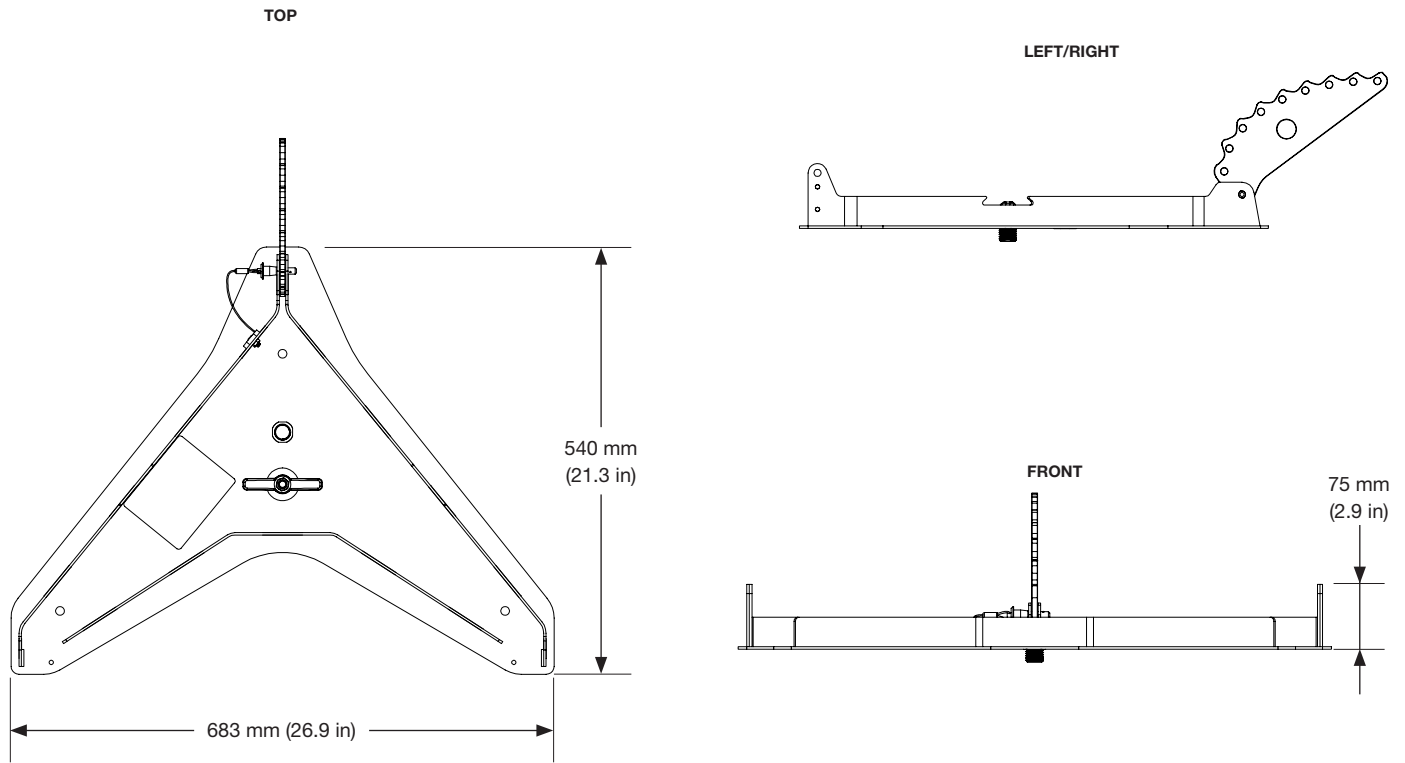
- Enables ground stacking SRX910LA arrays
- Allows attaching arrays to subwoofers
- Universal M20 threaded pole mount
- Angle range: -15 degrees to +5 degrees
- Support for up to (4) SRX910LA

DESCRIPTION

The SRX910LA Base Plate is a universal adapter frame that enables SRX910LA arrays to be ground stacked on top of compatible subwoofers or support structures such as stages, scaffolding, or carts. Using the included M20 screw, the SRX910LA BP connects to any supported subwoofer equipped with a standard M20 pole mount adapter, such as the SRX928S. The rear angle selection bar allows for angles ranging from -15 to +5 degrees. The three included M10 through-holes can be used to permanently attach an SRX910LA array to other support structures. Configurations and load conditions for using the SRX910LA BP can be obtained using JBL Line Array Calculator 3 software. For more information about the base plate and use cases refer to the **SRX900 Series Rigging Manual**.



DIMENSIONS



TECHNICAL SPECIFICATIONS

PHYSICAL	
Construction :	High-grade steel with anti-corrosion coating
Finish :	Black powder coat
Mechanical Limits¹	
Maximum :	(4) SRX910LA
Safe Limit :	(2) SRX910LA
Dimensions (H x W x D)²:	75 mm x 683 mm x 540 mm (2.9 in x 26.9 in x 21.3 in)
Net Weight³ :	6.0 kg (13 lbs)
Shipping Weight :	8.5 kg (18.8 lbs)
ORDERING INFORMATION	
SKU :	JBL-P3238MX SRX910LA BP
Included :	(1) Base Plate (1) M20 Thumb Screw #5118612

Footnotes:

1: Always use the JBL Line Array Calculator 3 software to check mechanical safety when using the SRX910LA Base Plate. For more information on Safe and Maximum Limits, refer to the **SRX900 Rigging Manual**.

2: Refer to the 2D and 3D Customer Drawings for more detailed dimensions.

3: Weight includes SRX910LABP only.

JBL continually engages in research related to product improvement. Some materials, production methods and design refinements are introduced into existing products without notice as a routine expression of that philosophy. For this reason, any current JBL product may differ in some respect from its published description, but will always equal or exceed the original design specifications unless otherwise stated.