



QX-300 SERIES PROFESSIONAL POWER AMPLIFIER

QX-300 SERIES

The QX-300 series amplifiers take commercial audio to a new level. The superior Class-D technology combined with small form factor make the QX-300 series the perfect solution for any commercial or industrial application. Wall and table mount options offer more flexibility, 10 units can be mounted in 3RU, achieving extremely high power to channel count for density.

When in standby the QX-300A draws less than 0.5W of power, making the QX-300A series both Green Energy Star & ErP 1275/2008/EC compliant. Low-Z (4 -16 Ohm) operation and High-Z (70/100 V) loudspeaker configurations are catered for and adjusted using the onboard auto load sensing technology. A custom diecast base coupled with numerous protection circuits and temperature-controlled fan cooling, provide ultra-reliability even in the most challenging environments. Dante/AES67 connectivity is available with the QX-300D model enabling full integration across AV networks.

UMAC™ Class-D technology delivers unequalled audiophile specifications, including the highest dynamic range and the lowest distortion performance of any comparable pro audio amplifier. This makes the QX-300 Series suitable for pro audio applications and for use in Hi-Fi and AV products.

KEY FEATURES

High Performance 2 x 150W Power Amplifier

Auto Load Sensing: 4-16 Ohm, 70V Line (Stereo)
100V Line (Bridged-Mono)

Energy smart technology (Green Energy Star & ErP 1275/2008/EC compliant)

UMAC™ Class-D – full bandwidth PWM modulator with ultra-low distortion

Dante™/AES67 inputs available* (D version)

Individual volume control, standby, 80Hz High Pass Filter

Short circuit protection, DC protection, under voltage protection, temperature protection, overload protection

URECT™ universal mains switch mode power supply with Power Factor Correction (PFC) and integral standby converter

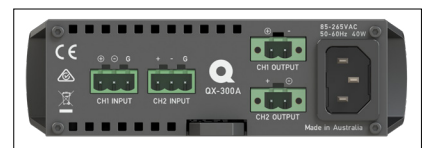
Rack-mountable 1RU 1/3 space, wall and table mount options available

Euroblock style amplifier I/O connectors

High Dynamic range incorporating, DynamiQ Bass technology®

Designed, Engineered, and Assembled in Australia

IMAGES





QX-300 SERIES PROFESSIONAL POWER AMPLIFIER

SPECIFICATIONS

OPERATION MODES	Stereo Mode		Bridged-Mono Mode			
Load	80hm	40hm	80hm	40hm	70V (220hm)	100V (330hm)
Maximum Continuous Power (@1kHz, 1% Thd)	2 x 140W	2 x 140W	1 x 280W	1 x 260W	250W	240W
Maximum Dynamic Power (@1kHz, 1% Thd)	2 x 200W	2 x 275W	1 x 550W	1 x 550W	550W	550W

Frequency Response	20-20kHz (+/-0.3dB)	
Peak Output Current	25A	
Dynamic Range	112dB (A-weighted)	
Noise Level	-76dBu (A-weighted)	
Distortion (1kHz@1W/80hm)	0.003%	
Distortion (1kHz@50W/80hm)	0.011% (Stereo) 0.004% (Bridged-Mono)	
Crosstalk (1kHz@1W/80hm)	-95dB	
Gain	26dB/32dB	
Maximum Input Level	+24dBu	
Amplifier Version	QX-300A	QX-300D
Input Type	Analogue Balanced 3-pin Phoenix (5.08mm pitch)	Dante RJ-45 (AES67 Compatible) with RJ-45 Link
Input Sensitivity	+7dBu/+4dBu	-4.5dBFS/-1.5dBFS
Input Impedance	10kOhm	-
Maximum Input Level	+24dBu	0dBFS
Output Resistance	22.5mOhm/43.6mOhm	
Front Controls	Volume Adjust, 80Hz HPF Enable, Bridged-Mono Enable, Limiter Enable, Auto-Standby Enable)	

Indicators (LEDs)	Blue/Orange	Active/Standby
	Orange	Protection
	Green	Signal Detection
	Orange/Red	Limiter/Clip
Cooling	Fan cooled, temperature dependent	
Features	Wake On Music, Auto-Mute (1ms wake-up), Limiting on High Temperature	
Amplifier Protection Systems	Thermal protection, Over-Current Protection, DC Protection, HF Protection	
Mains Input Voltage Range	85VAC - 265VAC	
Amplifier Version	QX-300A	QX-300D
Standby Power Consumption	0.4W	2.5W
Muted Power Consumption	4.2W	6.5W
Idle Power Consumption	7.2W	9.5W
Standard Power Consumption (Pink Noise@ 1/8th Rated Power, 80hm)	28W	30W
Output Connector	2-pin Phoenix (5.08mm pitch) with a screw lock	
Mains Connector	Standard IEC C14	
Dimensions (H x W x D)	44.5 x 140 x 330 mm (1.75 x 5.5 x 13")	
Weight	1.6kg (3.5 lbs)	
Accessories	Mains Cable, Feet, User Manual, Phoenix Plugs, Rack Ears	

* All specifications were measured at 240VAC

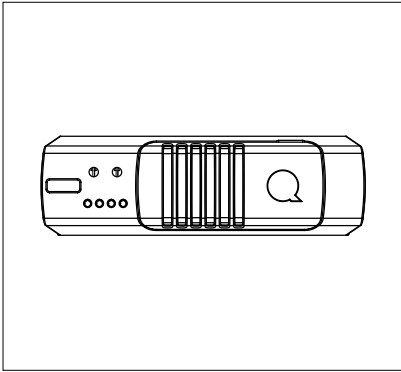
** Quest Engineering reserves the right to make changes in specifications, or products without prior notice.

*** The figures shown above are 'real world', usable specifications and are conservative as a result. Quest Engineering does not believe in portraying misleading or exaggerated specifications.

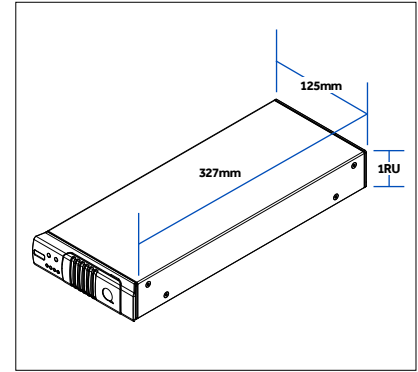
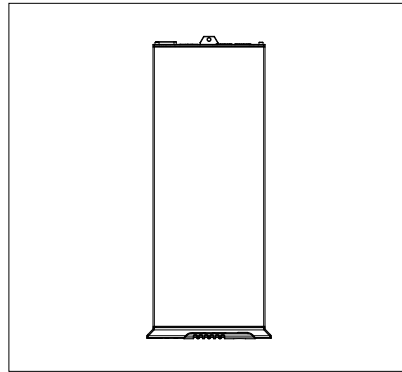


QX-300 SERIES PROFESSIONAL POWER AMPLIFIER

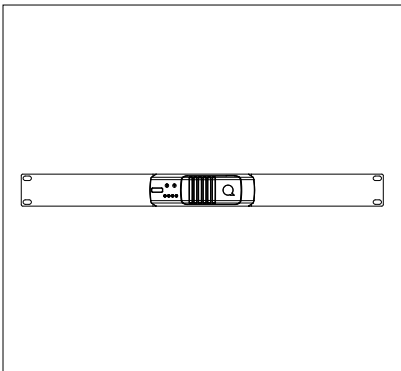
TECH DRAWINGS



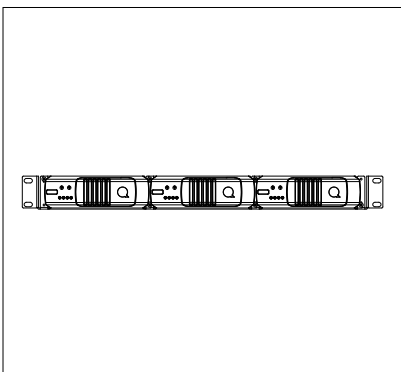
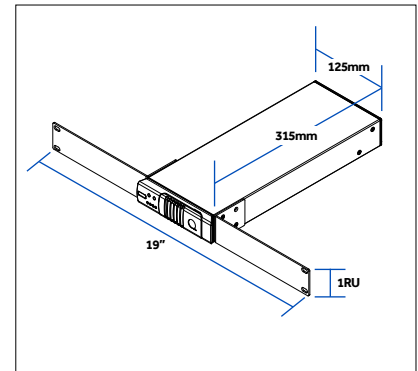
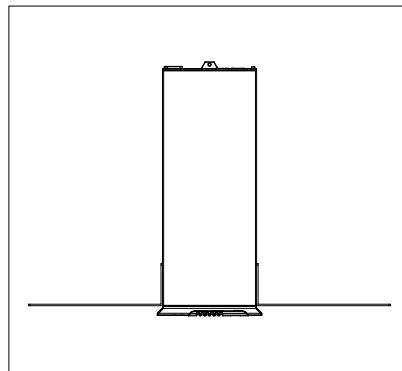
Standalone



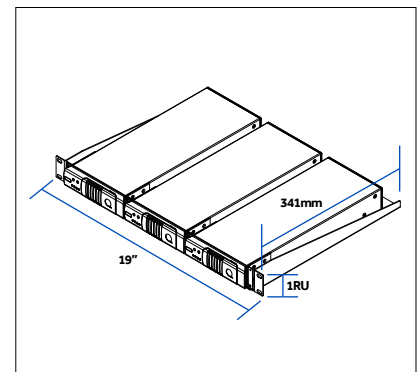
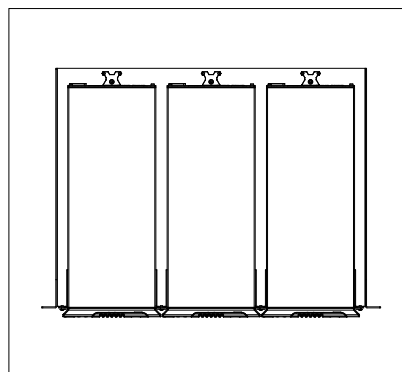
ACCESSORIES



1RU Brackets (Included)



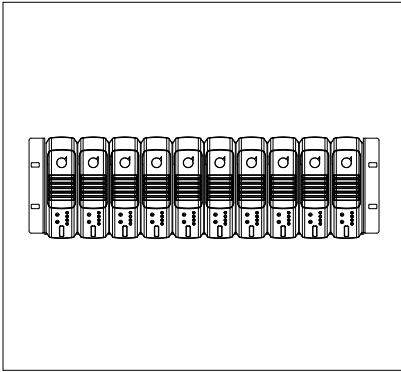
uRAK2 (optional)



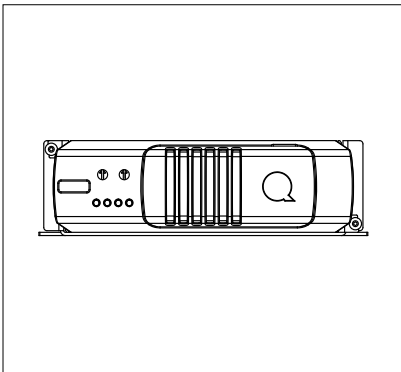
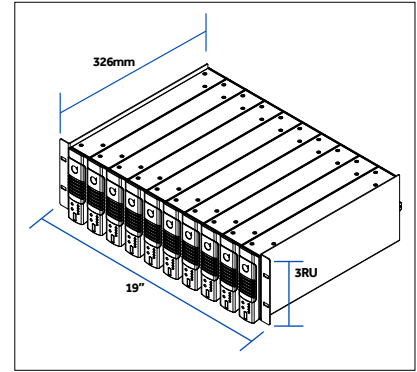
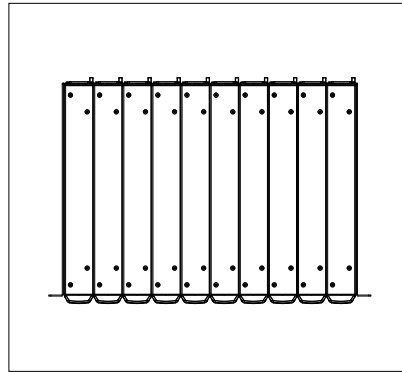


QX-300 SERIES PROFESSIONAL POWER AMPLIFIER

ACCESSORIES



uRAK3 (optional)



WBQX300 (optional)

