

UA505 -- Remote Antenna Mounting Bracket Kit

General Description

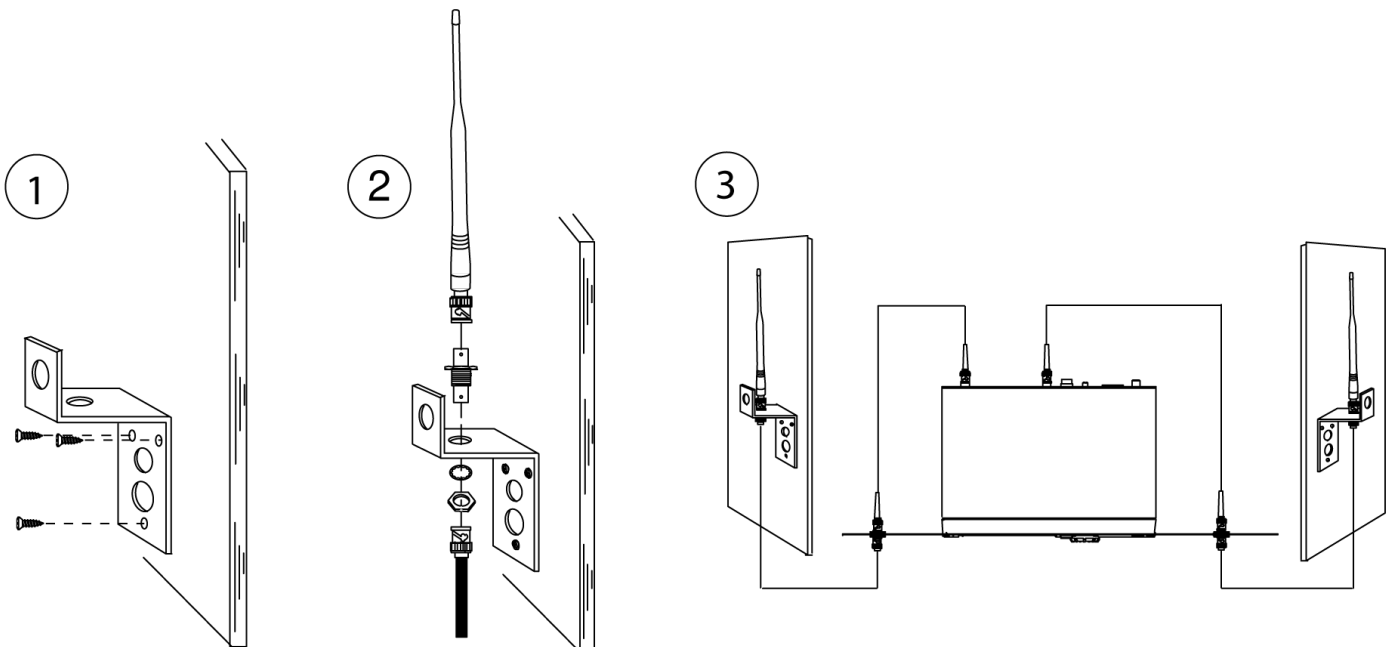
The Shure UA505 Remote Antenna Mounting Bracket Kit lets you mount a 1/2-wave antenna away from the receiver or equipment rack. This kit includes one mounting bracket, a bulkhead adapter, and bulkhead adapter nut.

NOTE: Antennas and bracket mounting hardware (screws, washers and nuts) are not included in this kit.

Wall bracket dimensions: 4.662" L X 1.25" W X 1.662" H

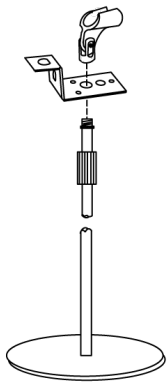
Antenna Placement

- Place antennas as high as possible and away from metal obstructions.
- Placing the antenna behind non-metallic curtains or stage flats is acceptable.
- Keep antennas separated by at least one wave length.
- Make sure the person using the transmitter can see the receiver antenna at all the times.
- Use RG-8U or equivalent 50 Ω low-loss cable such as a Shure UA825 or UA850.
- Do not use 1/4-wave antennas for remote mounting.

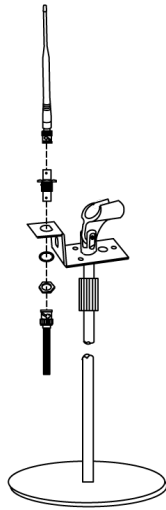


Wall Mount

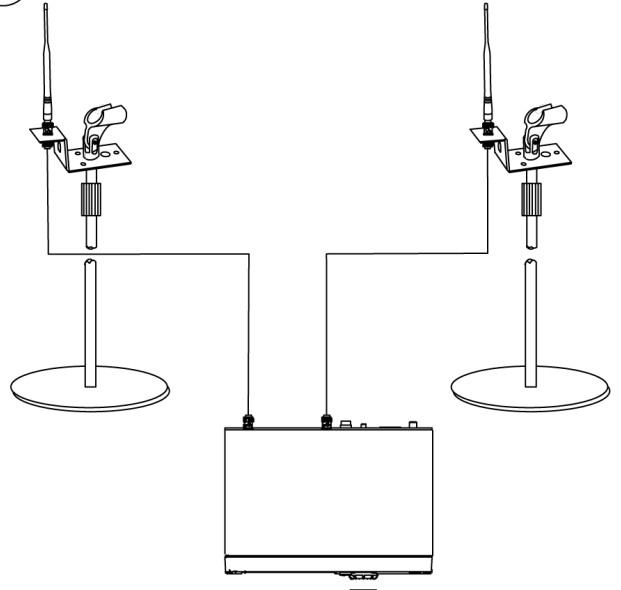
1



2



3



Microphone Stand Mount