

PLE-1SCS Plena Easy Line Heavy Duty Call Station

www.boschsecurity.com



BOSCH
Invented for life



- ▶ Sturdy microphone for demanding applications
- ▶ PTT-key for calls for activation
- ▶ Momentary or toggle
- ▶ Green LED, indicating microphone active
- ▶ Stable metal base design with fixed 2 m (6.56 ft) cable and lockable Euro style connector

The Plena tabletop microphone is a heavy-duty, high-quality tabletop unidirectional dynamic microphone, intended for making calls in a public address system. Its heavy metal base and rubber feet ensure stability on any flat surface. The special design also allows the unit to be neatly flush-mounted in desktops.

Functions

The PTT-key (press-to-talk), not only switches on the microphone, but also provides priority contacts, that are compatible with the Plena range of amplifiers. The switching characteristic of the PTT-key can be configured internally for PTT-mode (on as long as pressed) or toggle-mode (press to switch on, press again to switch off).

It is equipped with a fixed, flexible 2 m (6.56 ft) cable and a 5-pin Euro style connector for the balanced signal and the priority contact. If the priority contact is not required, the microphone can be connected to amplifiers with 3-pin Euro style connector.

A green LED indicates when the microphone is active.

Controls and indicators

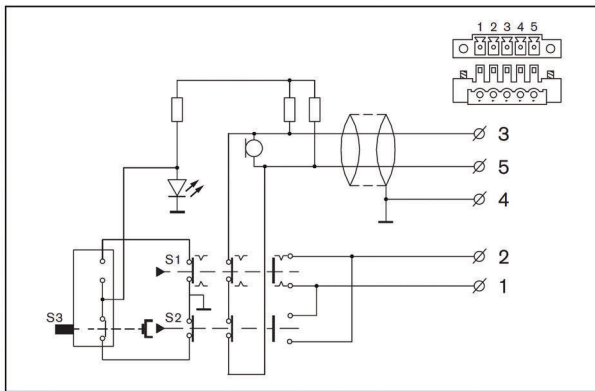
- PTT-key
- PTT status LED

Certifications and approvals

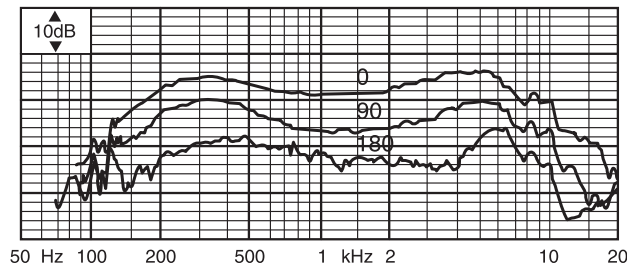
Safety	according to EN 60065
Immunity	according to EN 55103-2
Emission	according to EN 55103-1

Region	Certification
Europe	CE

Installation/configuration notes



Circuit diagram



Frequency response

Parts included

Quantity	Component
1	PLE-1SCS Plena Easy Line Heavy Duty Call Station

Technical specifications

Electrical

Phantom power supply	
Voltage range	12 to 48 V
Current consumption	<8 mA

Performance

Polar pattern	Uni-directional
Frequency response	100 Hz to 15 kHz
Sensitivity	1.2 mV/pa +/- 4 dB
Rated output impedance	500 ohm
Maximum input sound level	110 dB SPL
Distortion	<0.6% (maximum input)
Input noise level (equiv.)	25 dB SPL (S/N 69 dBA ref. 1 Pa)

Mechanical

Base dimensions (H x W x D)	40 x 100 x 235 mm (1.57 x 3.97 x 9.25 in)
Weight	Approx. 1 kg (2.2 lb)
Color	Charcoal with silver
Stem length with mic.	390 mm (15.35 in)
Cable length	2 m (6.56 ft)

Environmental

Operating temperature	-10 °C to +55 °C (14 °F to +131 °F)
Storage temperature	-40 °C to +70 °C (-40 °F to +158 °F)
Relative humidity	<95%

Ordering information

PLE-1SCS Plena Easy Line Heavy Duty Call Station
 Heavy-duty all-zone call station with 2 m cable and lockable Euro style connector.
 Order number **PLE-1SCS**

Represented by:

Americas:

Bosch Security Systems, Inc.
12000 Portland Avenue South
Burnsville MN 55337, USA
Phone: +1-800-392-3497
Fax: +1-800-955-6831
audiosupport@us.bosch.com
www.boschsecurity.com

Europe, Middle East, Africa:

Bosch Security Systems B.V.
P.O. Box 80002
5617 BA Eindhoven, The Netherlands
Phone: + 31 40 2577 284
Fax: +31 40 2577 330
emea.securitysystems@bosch.com
www.boschsecurity.com

Asia-Pacific:

Robert Bosch (SEA) Pte Ltd, Security
Systems
11 Bishan Street 21
Singapore 573943
Phone: +65 6571 2808
Fax: +65 6571 2699
apr.securitysystems@bosch.com
www.boschsecurity.asia

China:

Bosch (Shanghai) Security Systems Ltd.
201 Building, No. 333 Fuquan Road
North IBP
Changning District, Shanghai
200335 China
Phone +86 21 22181111
Fax: +86 21 22182398
www.boschsecurity.com.cn

America Latina:

Robert Bosch Ltda Security Systems Division
Via Anhanguera, Km 98
CEP 13065-900
Campinas, Sao Paulo, Brazil
Phone: +55 19 2103 2860
Fax: +55 19 2103 2862
latam.boschsecurity@bosch.com
www.boschsecurity.com