



EVID-P6.2 Pendant speaker 6.5"

- Full bandwidth overload protection
- Front baffle wattage tap adjustment
- Magnetic grille for easy tap adjustment access
- Indoor and outdoor use
- UL1480A and CSA C22.2 certified for indoor installations and protected outdoor installations



The Electro-Voice EVID-P6.2 loudspeaker system is a complete two-way pendant loudspeaker. The package consists of a bezel assembly, magnetic grille, rear enclosure, 6.5-inch coax two-way loudspeaker and internal line-matching transformer. The loudspeaker features a titanium dome tweeter. The EVID-P6.2 loudspeaker utilizes a 2nd order crossover network with a comprehensive protection circuit to protect the network, woofer, and tweeter drivers from excessive power levels. The EVID-P6.2 loudspeaker utilizes a transformer that offers a selection of 1.88 (70-V only), 3.75W, 7.5W, 15W or 30 watts delivered to the loudspeaker system using either 70-V or 100-V lines, or 8 ohm bypass. Selection is via a convenient switch on the front baffle, easily accessible by removing the magnetic grille.

The perforated grille is finished in semi-gloss black or white powder-coated enamel. The baffle, bezel, and rear-enclosure are constructed from UL 94V-0 rated ABS. The connections on the rear provide access to a 4-pin terminal block that allows direct connection to the speaker with 12 gauge wire and provides pass-through to additional speakers.

The EVID line of speakers has been designed to work together as a complete system in a wide range of different constructions. The pendant and ceiling loudspeakers provide wide dispersion, high efficiency, high-maximum output, ease of installation, and wide-range reproduction of music or voice.

Technical specifications

Rated frequency range:	60 Hz - 20 kHz
Sensitivity (SPL 1 W/1 m):	87 dB
Coverage pattern ¹ :	115° conical
Power handling (@ 8Ω):	75 W (with overload protection)
Rated impedance:	8 Ω
Recommended High-Pass frequency:	60 Hz
Input configuration:	8Ω; 70V/100V
70V/100V power taps:	1.8 (70V only)/3.7/7.5/15/30 W
LF transducer:	6.5 in (165 mm) high-compliance driver (weatherized cone)
HF transducer:	1 in (25 mm) titanium dome
Mounting system:	Rear mounted suspension points
Acoustic design:	Ported cabinet, two-way design, internally damped, w/passive crossover
Approvals:	CE, UL 1480A, CSA 22.2
Cabinet construction:	UL94V-0 rated enclosure and baffle

2 | EVID-P6.2 Pendant speaker 6.5"

Grille construction:	Powder-coated steel
Colors:	Black or white
Dimensions (depth x diam.):	11.9 in x 12.2 in (301.0 mm x 310.0 mm)
Net weight:	11.65 lb (5.28 kg)
Shipping weight:	13.85 lb (6.28 kg)
Included accessories:	Grille removal tool

¹Average 1 kHz to 10 kHz

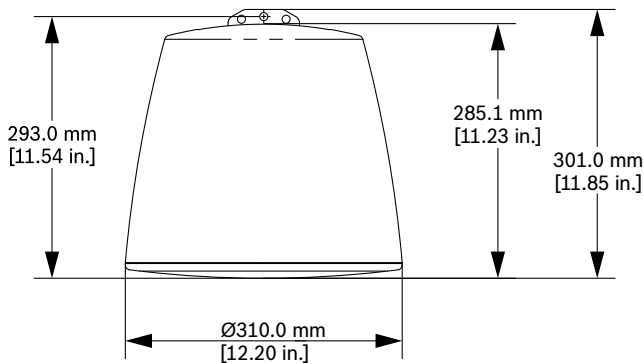
Included hardware:

Pendant Suspension Cable	
Material:	Steel wire rope
Working load limit:	10 kg (22 lb)
Length:	4.57 m (15 ft.)
Approvals:	UL2442

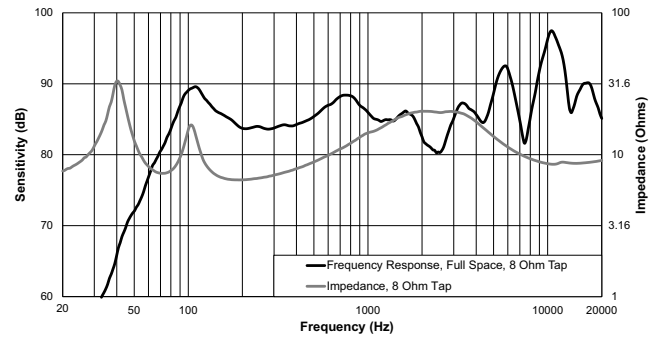
Architectural and engineering specifications:

The EVID P6.2 loudspeaker system shall be comprised of a UL 94V-0 fire rated ABS baffle/bezel/enclosure assembly, powder coated grille with safety tether that attached magnetically to the bezel, transformer with 8 ohm bypass, and 6.5-inch polypropylene low frequency transducer with coaxially-mounted 1 inch titanium dome tweeter. The loudspeaker shall meet the following criteria: power rating shall be 75 watts of EIA RS-426A pink noise (6 dB crest factor). Frequency response, uniform from 60 Hz to 20 kHz. Pressure sensitivity, 87dB SPL at 1 meter (3.3 feet) on axis with one watt of pink noise (ref. 20µPa). Minimum impedance, 6.0 ohms. The loudspeaker shall be 301 mm (11.9.0 in.) deep and 310 mm (12.2 in.) in diameter. Weight shall be 5.28 kg (11.65 lb). The coaxial pendant loudspeaker shall be the Electro-Voice model EVID-P6.2.

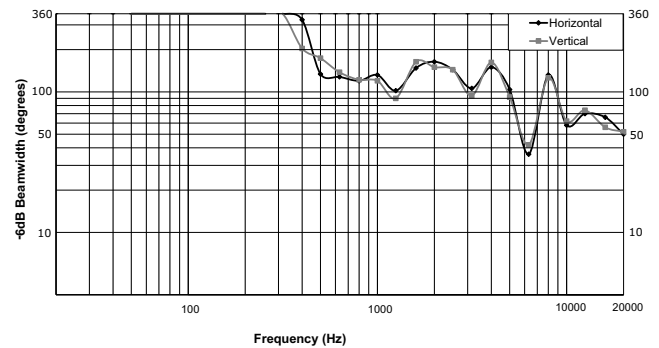
Dimensions:



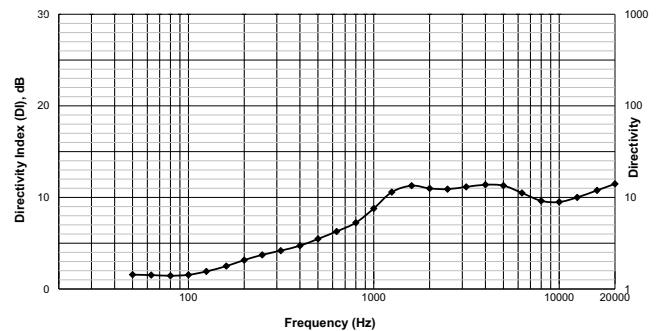
Frequency response and impedance:



Beamwidth:



Directivity:



Ordering information

EVID-P6.2B Pendant speaker 6.5" black

Two-way 6.5" pendant speaker, with internal 30W 70/100 volt line transformer with 8 Ohm bypass, black
Order number **EVID P6.2B**

EVID-P6.2W Pendant speaker 6.5" white

Two-way 6.5" pendant speaker, with internal 30W 70/100 volt line transformer with 8 Ohm bypass, white
Order number **EVID P6.2W**

Accessories

TR-P Threaded rod adaptor for pendant

Threaded rod adapter for the EVID-P6.2 loudspeakers, silver

Order number **TR-P**

WC-PB Weather cover pendant black

Weather input cover (IP65) for the EVID-P6.2 pendant loudspeakers, black

Order number **WC-PB**

WC-PW Weather cover pendant white

Weather input cover (IP65) for the EVID-P6.2 pendant loudspeakers, white

Order number **WC-PW**

Represented by:

Germany:

Bosch Sicherheitssysteme GmbH
Robert-Bosch-Ring 5
85630 Grasbrunn
Germany

Bosch Security Systems, Inc.
12000 Portland Avenue South
Burnsville MN 55337
USA

www.electrovoice.com