



## AcousticDesign™ Series AD-P.HALO

integrated SUB/SAT pendant  
loudspeaker system

### Features

- Integrated 6.5" subwoofer and four 2.75" satellite transducers in a single pendant-mount enclosure
- All-in-one solution with no assembly required
- 200 W RMS power rating
- Consistent tonal characteristics across the entire AcousticDesign Series family for surface, ceiling, and pendant applications
- Intrinsic Correction™ voicings available via Q-SYS Ecosystem and QSC processing amplifiers
- Rugged ABS enclosure
- Low-saturation 70 / 100 V transformers with 6 Ω bypass
- Transformer taps: 100 W, 50 W, 25 W, 12.5 W
- IP-54 ingress rating
- UL1480A and CE compliant
- Available in black (RAL 9011) or white (RAL 9010)
- Included suspension hardware and fasteners
- Complete EASE, CAD, & BIM information available online



### Applications: Retail · Restaurants · Hospitality · Open-ceiling applications

The QSC AD-P.HALO is a purpose-built, integrated SUB/SAT pendant loudspeaker system, featuring one 6.5" subwoofer and four 2.75" satellite transducers in a single enclosure that is ready to install out of the box. Designed for business music installations where music drives the atmosphere.

#### All-in-One Solution, No Assembly Required

Contrary to their name, some "all-in-one" solutions often requiring time-consuming assembly of multiple components. Instead, the AD-P.HALO is purpose-designed and fully integrated within a single-enclosure pendant that is ready to hang right out of the box. This hassle-free design simplifies and expedites the installation process, and lowers the overall project costs and allows the integrator to focus on the sound.

#### Designed for Performance and Musicality

The AD-P.HALO brings high-performance and musicality to high-end retail and hospitality applications where sound drives the atmosphere. The 200 W RMS power rating provides significant dynamic headroom that enables the AD-P.HALO to far surpass the background music performance of traditional two-way pendant-mount loudspeakers.

#### Perfect AcousticDesign™ Series Companion

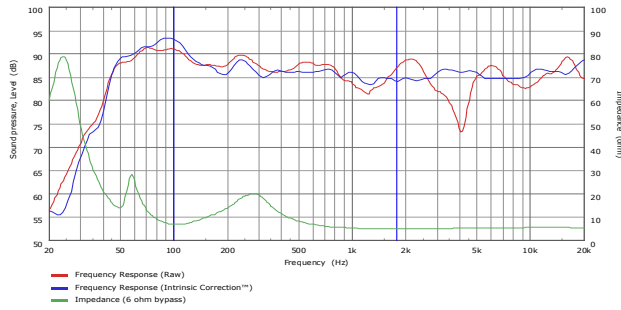
AD-P.HALO is part of the AcousticDesign Series portfolio of loudspeakers, which offer sleek aesthetic design and high-quality sound across multiple form factors (ceiling-mount, pendant-mount and surface-mount).

Installers will appreciate the two quick-link cable assemblies and slip-lock fasteners to speed the installation. Located under a sealable input cover to prevent moisture at the terminals, a locking 4-pole Euro-block connector that can accept four 18AWG pairs eliminates the termination hassles of star topology wiring designs.

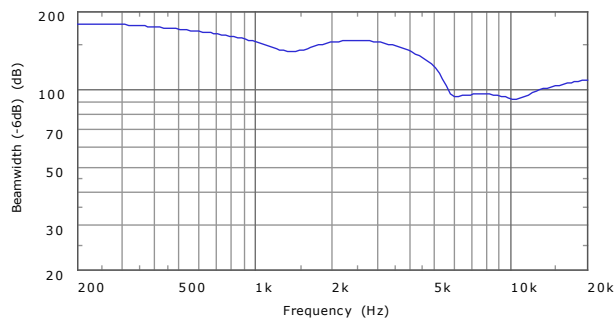
To further speed the install process while obtaining optimal results, Intrinsic Correction™ voicings are easily deployed via Q-SYS Ecosystem and QSC processing amplifiers.

# AD-P.HALO Details

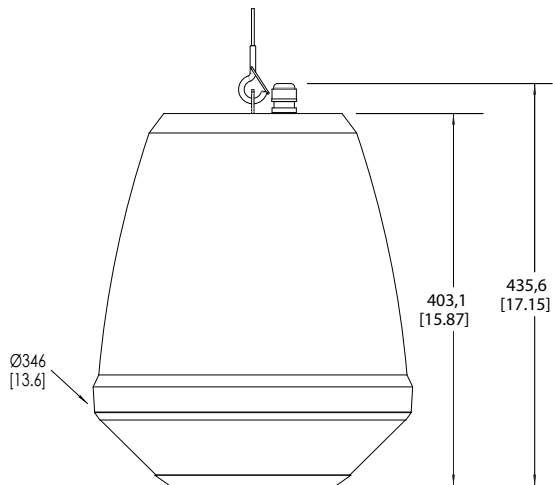
## Impedance / Frequency Response:



## Beamwidth:



## Dimensions:



## Specifications

System Details	AD-P.HALO
LF transducer	165 mm (6.5 in) dual voicecoil subwoofer, stamped basket, 16 Ω nominal impedance, paper cone, paper dust cap, copper wire, rubber surround
HF transducer	4x 69.85 mm (2.75 in) full-range, stamped basket, 16 Ω nominal impedance, hybrid ceramic/neodymium magnetic circuit, copper cap, paper cone, inverted aluminum dust cap, CC aluminum VC wire, rubber surround
Effective frequency range <sup>1,2,3</sup>	40 Hz – 20 kHz
Sensitivity <sup>4</sup>	86 dB
Rated noise power <sup>5</sup>	100 W
Max noise voltage <sup>5</sup>	24.5 V RMS
Coverage <sup>2,7</sup>	110° conical
Directivity index <sup>2,7</sup>	8 dB
Directivity factor	6
Maximum SPL (continuous/peak) <sup>6</sup>	105 / 111 dB
Nominal impedance	6 Ω nominal 4.9 Ω minimum @ 1.6 kHz
Crossover frequency	250 Hz (2 <sup>nd</sup> order low-pass + 3 <sup>rd</sup> order high-pass filters)
Tap power (70 / 100 V)	12.5, 25, 50, 100/25, 50, 100
Port Tuning	50 Hz
Input	4-pin male/female Euroblock with pass-thru and locking screws
Enclosure material	Injection-molded ABS baffle and enclosure
Grille material	Stamped steel, perforated and powder-coated
Net weight	10.2 kg (22.5 lb)
Product dimensions	Diameter: 339.7 mm (13.37 in) Height: 433 mm (17.04 in)
Shipping weight	12.5 kg (27.6 lb)
Shipping dimensions (W x D x H)	535 x 445 x 435 mm (21.06 x 17.52 x 17.13 in)

<sup>1</sup> -10 dB from rated sensitivity

<sup>2</sup> anechoic chamber @ 2.45 V, 1 m

<sup>3</sup> on reference axis

<sup>4</sup> from Thiele-Small parameters @ 2.45 V, 1 m

<sup>5</sup> IEC, 2 hrs, 6 Ω nominal impedance

<sup>6</sup> calculated from rated noise power and sensitivity

<sup>7</sup> 500 Hz - 5 kHz average

