



AcousticDesign™ Series AD-P.SAT

2.75-inch small format
satellite pendant
loudspeaker

Features

- Consistent tonal characteristics across the entire AcousticDesign Series for surface, ceiling, and pendant applications
- Refined depth and clarity even at low volume settings
- Mix-and-match capable, any subwoofer with any satellite in the AD Series SUB/SAT line
- Inverted aluminum dome dust cap
- Rated at 16 Ω
- Locking 2-pole Euroblock connectors
- Removable logo
- Quick link cable assemblies and slip-lock fasteners supplied
- Intrinsic Correction™ voicings available via MP-M Series mixers and the Q-SYS Platform, including CXD-Q Series amplifiers
- Available in black (RAL 9011) or white (RAL 9010)
- Complete EASE, CF2, CAD, & BIM information available online
- UL1480 certified



AD-P.SAT



Background Music Applications • Retail • Restaurants • Coffee Shops • Fine Dining • Hospitality • Commercial Spaces

The QSC AD-P.SAT is part of the AcousticDesign™ Series SUB/SAT loudspeaker line which are ideally suited for background music applications that require refined depth and clarity even at lower volume settings.

The AcousticDesign Series offers integrators a premium quality installed sound solution where performance, consistent coverage, and aesthetics are paramount. Specifically designed to maintain a consistent tonal characteristic across the entire family in ceiling, surface, and pendant enclosures, the AcousticDesign Series allows integrators seamless transitions within blended installations.

The AcousticDesign Series SUB/SAT loudspeakers have been specifically designed to be mix-and-match capable. Any combination of satellites may be paired with any subwoofer in the SUB/SAT line.

The AD-P.SAT features a high quality 2.75-inch weather treated paper cone woofer with an inverted aluminum dust cap for extended high frequency presence within a sealed enclosure.

These loudspeakers are rated at 16 Ω, and up to four satellites may be connected to any AcousticDesign Series SUB/SAT subwoofer's high-pass filtered outputs. Satellites may be used as stand-alone loudspeakers using an external high-pass filter.

The input uses a locking 2-pole Euroblock connector capable of 12AWG (2 mm) wire thickness.

To retain their stylish aesthetics, the rugged ABS baffle is further protected by using UV inhibitors that prevent discoloration. The grille features a stick-on logo that can be removed blemish-free for installations where branding is not permitted.

Installers will appreciate the supplied quick-link cable assemblies and slip-lock fasteners to speed the installation.

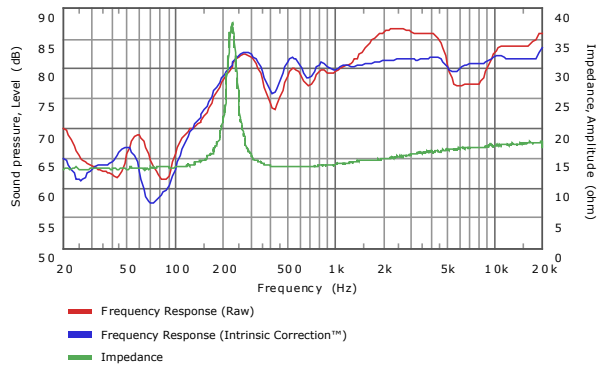
Intrinsic Correction™ voicings that optimize performance and speed the install process are easily deployed via the MP-M Series music and paging mixers as well as Q-SYS Platform, including CXD-Q Series amplifiers, as part of a complete QSC systems solution.

The AD-P.SAT is available in QSC standard black (RAL 9011) or white (RAL 9010).

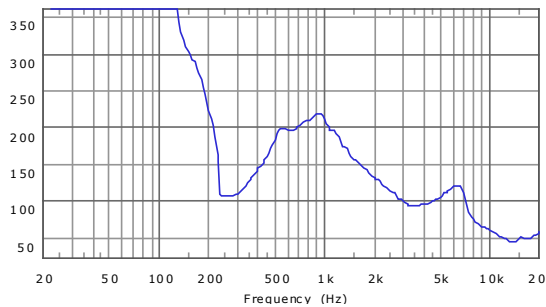
For your system integration needs, complete EASE, CF2, CAD, and BIM files will be available for download at QSC.com.

AD-P.SAT Details

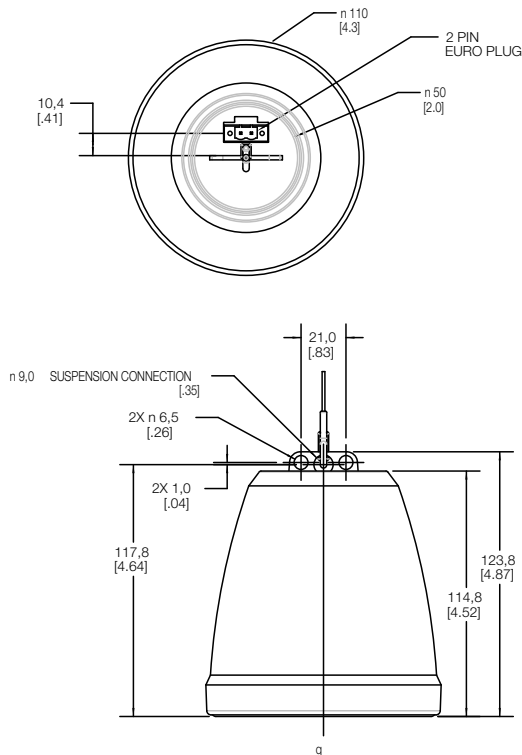
Sound pressure, Level



Beamwidth



Dimensions



Specifications

System Details	AD-P.SAT
LF transducer	N/A
HF transducer	2.75 in (70 mm) weather treated paper cone woofer
Effective frequency range ^{1,2,3}	150 Hz – 20 kHz
Rated noise power / voltage ⁶	25 W / 20 V (rms)
Sensitivity [dB] (rated @1 W, 1 m)	83
Coverage (-6 dB) ^{5,8}	155° Conical
Directivity index [dB] ⁶	6.0
Directivity factor ⁶	4.0
Maximum SPL [dB] (rated, 1 m (continuous / peak)) ⁷	97 / 100 / 103
Recommended amplifier	25 W per satellite (with 1st order high-pass filter at 200 Hz)
Impedance	16 Ω
Connector	2-pole Euroblock
Enclosure material	ABS
Grille material	Powder coated steel
Ingress protection	IP-34
Operating environment	Designed for indoor use
Operating temperature range	-4 to 122° F (-20 to 50° C)
Net weight	0.93 lb (420 g)
Product dimensions (Ø x H)	Ø 4.3 x 4.9 in (Ø 110 x 124 mm)
Shipping weight	2.27 lb / 1.03 kg
Shipping dimensions (H x W x D)	12.3 x 6.5 x 6 in (313 x 165 x 152 mm)
Shipping weight (master carton, 2 pairs)	5.16 lb / 2.34 kg
Shipping dimensions (H x W x D) (master carton, 2 pairs)	13.2 x 12.7 x 6.5 in (335 x 323 x 165 mm)
Included accessories	Cable rigging, 1x Euroblock connector, grille attached
Safety agency	UL1480

As part of QSC's ongoing commitment to product development, specifications are subject to change without notice.

Footnotes:

- 1) -10 dB from rated sensitivity
- 2) Reference plane is the plane coincident with the loudspeaker baffle plane. Reference axis is the axis Specifications perpendicular to the reference plane and passing through the center of the baffle. Vertical plane is the plane intersecting the reference plane at a right angle, including the reference axis and the taps selector knob. Horizontal plane is the plane intersecting the reference plane and the vertical plane at a right angle, including the reference axis.
- 3) Anechoic chamber, 4 V, 1 m
- 4) From Thiele-Small parameters @ 4V, 1 m
- 5) Free space.
- 6) IEC, 2hrs, 16 ohm nominal, rated noise power (W), rated noise voltage (Vrms), with 47 microfarad series capacitor per satellite.
- 7) Calculated from rated noise power and sensitivity.
- 8) 500 Hz - 5 kHz

