

The PE-304 is a pendant speaker designed for ceiling suspension installations. Considered in architectural design, it can blend in with lighting equipment. A directly-attached 5 m (16.4 ft) cable allows the speaker to be suspended from the high ceiling. The PE-304 is driven on both high-impedance (100 V and 70 V) and low-impedance (8 Ohm#) lines. The input power (impedance) can be easily changed at the upper side of the speaker. The speaker is easy to repaint so as to meet a wide range of design needs.

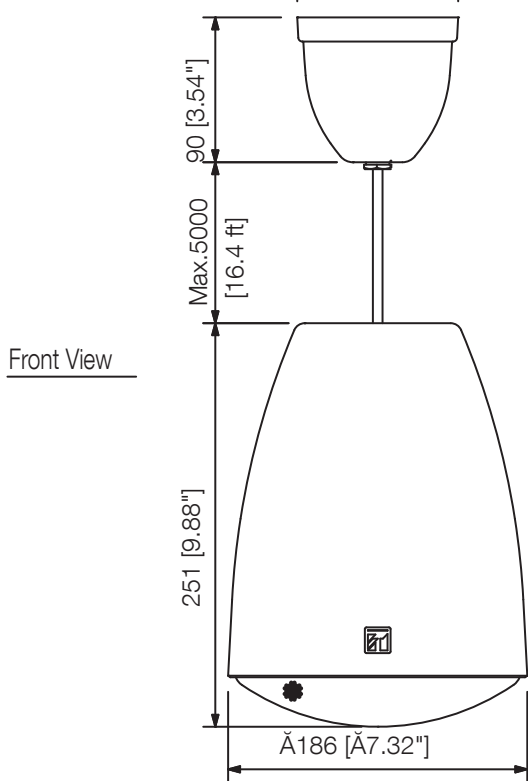
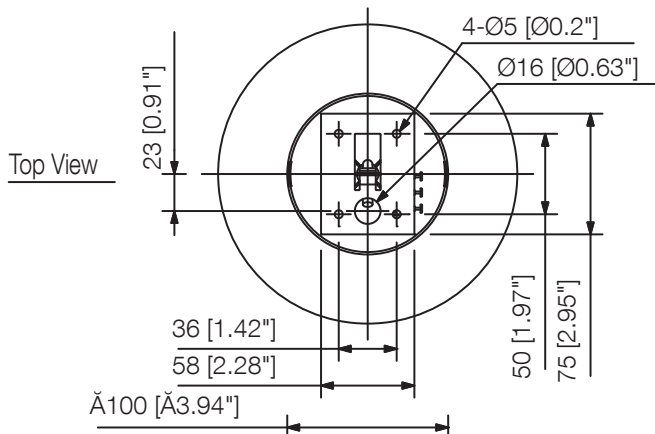


Article number: PE-304
Alternative products: PE-64

Specifications

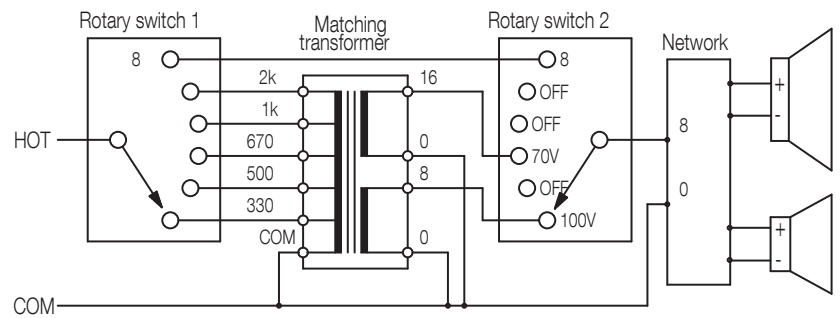
Sensitivity (1#V, 1#m)	91 dB (500 Hz – 5 kHz, pink noise)
Frequency response.	70 Hz - 20 kHz
Tappings	100 V line: 330 Ω (30 W), 500 Ω (20 W), 670 Ω (15 W), 1 kΩ (10 W), 2 kΩ (5 W) 70 V line: 170 Ω (30 W), 250 Ω (20 W), 330 Ω (15 W), 500 Ω (10 W), 1 kΩ (5 W) Low impedance: 8 Ω
Speaker component	12 cm cone-type + balanced-dome tweeter
Finish.	HIPS resin, off-white (RAL 9010 or equivalent),

Appearance



UNIT:mm

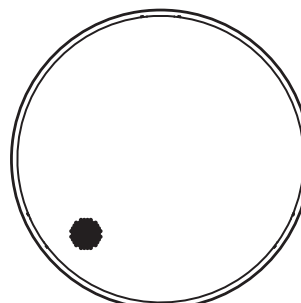
SCALE:1/5



(Factory-preset wiring)

Note: Never connect the 8 terminal to the 100 V or 70 V line.

Wiring Diagram



Bottom View