



Cinema Loudspeaker System

SC-433C

Features

- 3-way selectable, bi or tri- amplified screen channel system
- MH-1075C provides 90° horizontal by +20° to -30° vertical coverage
- LF-4315 is constructed of MDF and features single woofer chambers
- Low-distortion waveguides provide highly articulate dialogue
- Shallow depth (20") facilitates installation



Developed specifically for the unique requirements of professional motion picture playback, the SC-433C extends QSC's commitment to the cinema market. As a member of the DCS Digital Cinema Speaker Series, the SC-433C is a 3-way, selectable bi or tri-amplified screen channel loudspeaker system comprised of two main units—the MH-1075C high-frequency system and the LF-4315 low-frequency system.

The MH-1075C mid-high system features a high output, horn loaded 10" midrange cone driver and a 3" (75mm) titanium diaphragm compression driver mounted to an adjustable pan and tilt bracket. The MH-1075C includes a driver protection network and a passive crossover for bi-amp operation. Power limiter circuitry protects the high-frequency driver from overpowering. The MH-1075C provides extended frequency coverage for the critical midrange band. A high power 10" cone driver allows operation as low as 250 Hz and the advanced phase plug coupling permits a crossover point of up to 1800 Hz to the high-frequency horn. This ensures that most of the dialog range is reproduced by a single element, for unmatched intelligibility.

The LF-4315 triple 15" (381mm) low-frequency enclosure is designed specifically to address the extended low-frequency response required for cinema applications. The LF-4315 covers the frequency range from 35 Hz to 250 Hz. Close Coupled Woofers (CCW), with their tight spacing between woofers, improves coupling and keeps coverage angles wide over a greater frequency range than more widely spaced designs.

The SC-433C is designed for ease of installation. The MH-1075C components come pre-assembled to reduce field assembly time. Three bolts are all that are required to secure the MH-1075C to the top of the LF-4315 enclosure.

SC-433C Details

Specifications

SC-433C

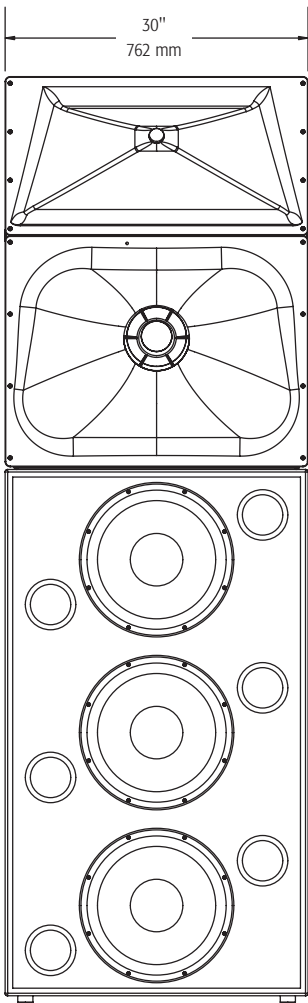
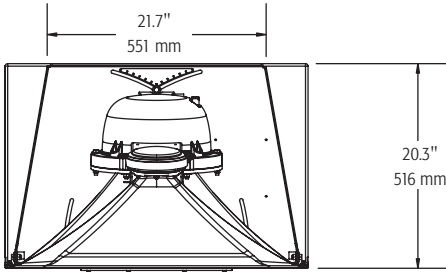
Nominal Coverage	90° horizontal x +20 to -30° vertical		
Frequency Range	32 Hz – 16 kHz (-6 dB)		
Crossover Frequency	250 and 1700 Hz, 24 dB per octave		
	LF-4315	MH-1075C	
Impedance	5.5Ω	8Ω	
Sensitivity 1 watt/1 meter, half space	101 dB	Bi-amp 105 dB	Tri-amp MF 105 dB HF 107.5 dB
Maximum Input Power ¹			
8 hours of 6 dB crest factor IEC 268 noise spectrum	1200 W RMS	250 W RMS ² <small>passive mid-high</small>	275 W RMS 80 W RMS
2 hours of 6 dB crest factor pink noise, 50 Hz – 20 kHz, AES method	1500 W RMS	350 W RMS	
Recommended Amplifier Power	2400 W RMS maximum	800 W RMS maximum	
Recommended Processing	Subsonic filter below 30 Hz, > 18 dB per octave	4th order LR crossover at 250 and 1700 Hz via QSC processor	
Connectors	Barrier strip screw terminals accept up to #10 AWG stranded wire	Barrier strip screw terminals accept up to #10 AWG stranded wire	
Transducers	Three 15" (381mm) high efficiency, extended bass woofers featuring 4" copper voice coils	10" - high efficiency mid range, 1.5" (38mm) exit, 3" titanium diaphragm compression driver	
Enclosure	Quasi B4 alignment, ported enclosure with fully flared ports, symmetrical port design, tuned to 36 Hz, constructed of MDF and heavily braced. Features vandal resistant woofer mounting bolts	Tilt/Pan Bracket ±10° vertical tilt ±10° horizontal pan	
Dimensions (HWD)	53" x 30" x 20.3" (1344 mm x 762 mm x 516 mm)	39" x 30" x 20" (990 mm x 762 mm x 508 mm)	
Weight – Net	260 lb (78 kg)	85 lb (18.4 kg)	
System Weight		345 lb (157 kg)	
Baffle Cut-Out		93" x 32"	

1) Maximum input power tested in accordance with IEC 60268-5 recommendations, 50 Hz – 20 kHz band limiting, 6 dB signal crest factor.

2) Maximum input power tested in accordance with IEC 60268-5 recommendations, 500 Hz – 2 kHz band limiting, 6 dB signal crest factor.

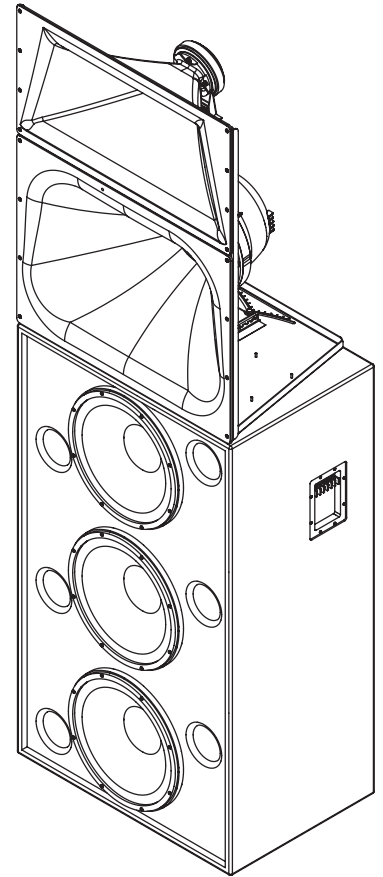
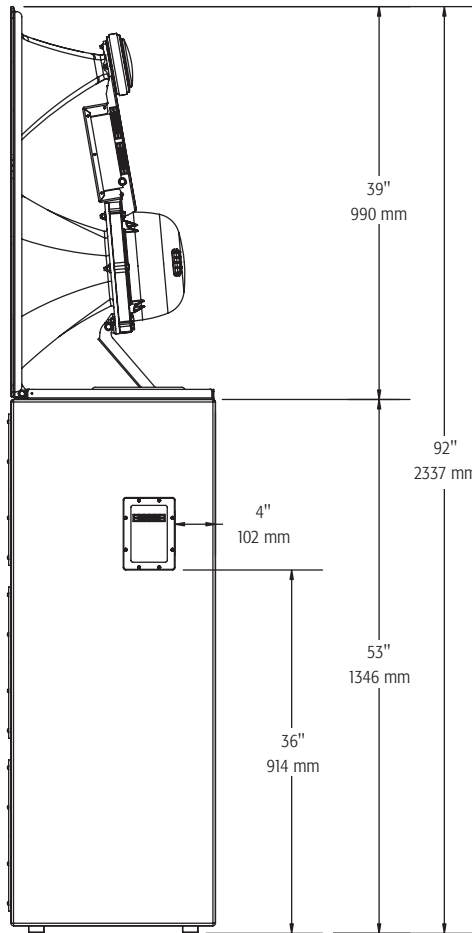
SC-433C Technical Drawing

Top



Front

Side



Specifications subject to change without notice.



1675 MacArthur Boulevard Costa Mesa, CA 92626 Ph: 800/854-4079 or 714/957-7100 Fax: 714/754-6174



please recycle

©2020 QSC, LLC. All rights reserved. QSC and the QSC logo are registered trademarks of QSC, LLC in the U.S. Patent and Trademark office and other countries.