

# DM-40D / DM-40D-W

---

Active Monitor Speaker

[pioneerdj.com/support/](http://pioneerdj.com/support/)

For FAQs and other support information for this product, visit the above site.

---

---

# Before you start

---

---

## How to read this manual

Thank you for choosing this Pioneer DJ product.

Be sure to read this manual, the "Quick Start Guide" and the "Precautions for Use" which are also included with this product. These documents include important information that you should understand before using the speakers.

---

---

## What's in the box

- Power cord × 1
- Audio converter cable (3.5 mm stereo mini plug to RCA) × 1
- Speaker cord × 1
- Bottom cushion × 2 (4pcs / 1 sheet)
- Quick Start Guide × 1
- Precautions for Use
- Warranty (for some regions) \*

\* Only products in Europe.

Products in North America and Japan include warranty information in the "Precautions for Use".

---

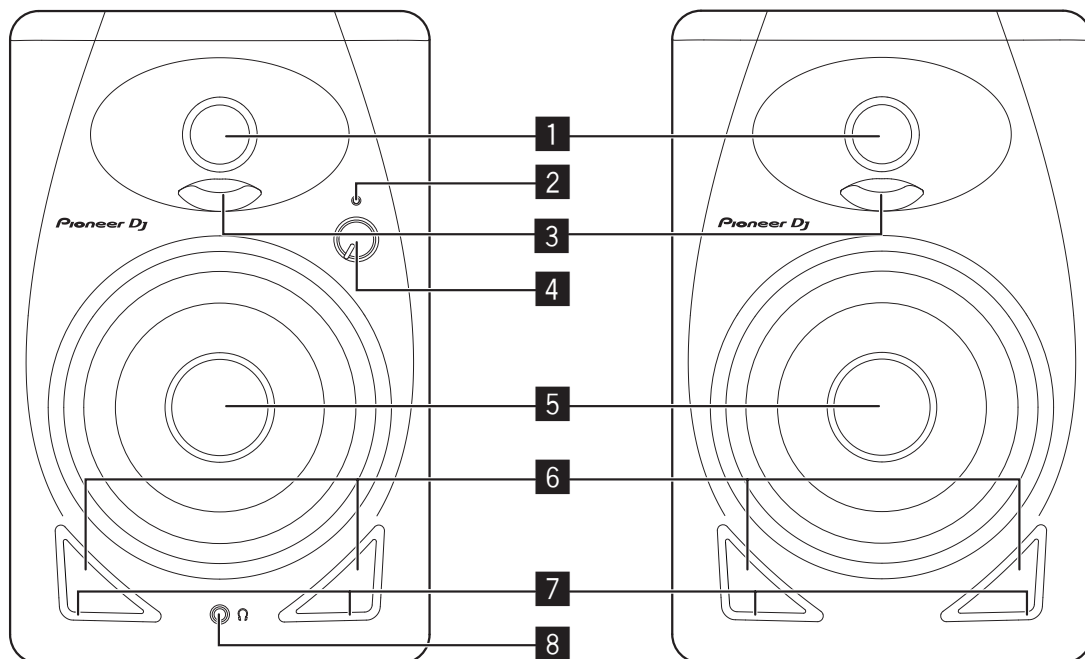
---

## Part names

---

---

### Front panel



**1** 3/4 inch soft dome tweeters

**2** POWER indicator

Lights up when the power is turned on. The indicator is off in Standby mode.

**3** Diffusers

Improve the sound directivity of high frequencies and provide spacious sound.

**4** LEVEL knob

Adjusts the volume.

**5** 4 inch glass fiber woofers

**6** Bass reflex ducts

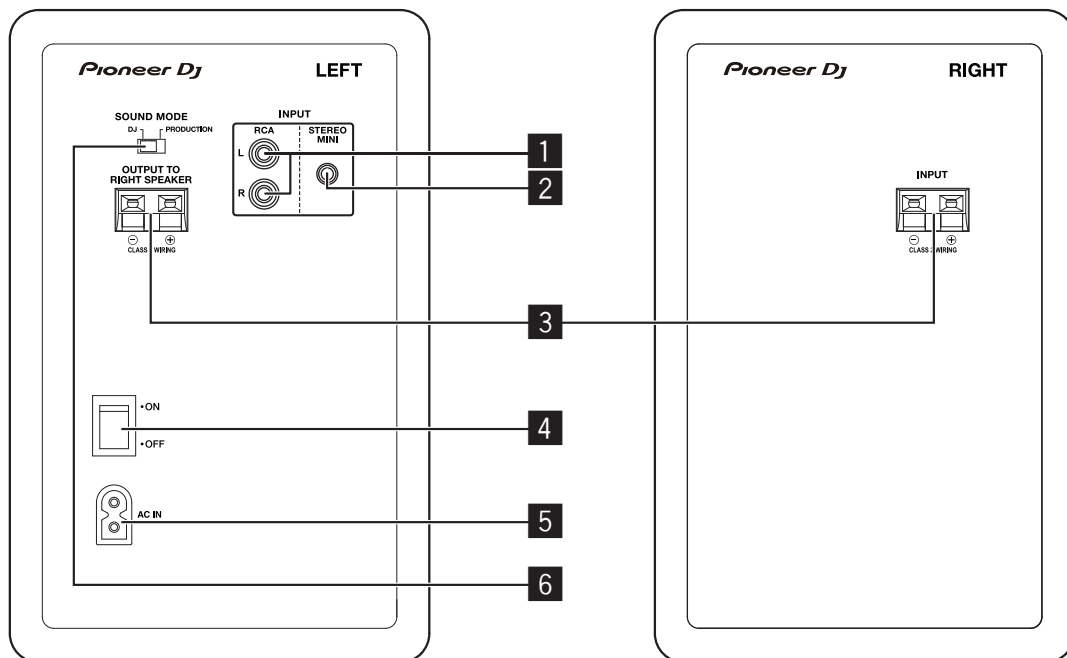
## 7 Grooves

Adjust the airflow of the bass reflex ducts to radiate low frequencies smoothly.

## 8 Headphone terminal

This is a 3.5 mm stereo mini jack type output terminal. Connecting headphones mutes the sound output from the speakers and outputs the sound only from the headphones.

## Rear panel



### 1 RCA INPUT terminals

These are RCA pin type unbalanced input terminals.

### 2 STEREO MINI INPUT terminal

This is a 3.5 mm stereo mini jack type unbalanced input terminal.

### 3 Speaker connection connectors

Connect the left and right speakers using the supplied cord. Do not connect these speakers to an amplifier other than that of this system. Doing so may cause a damage or fire.

### 4 POWER switch

Turns the power for the speakers on and off.

### 5 AC IN

Connect to a power outlet with the supplied power cord. Connect the power cord after all the connections are complete. Use the supplied power cord.

### 6 SOUND MODE switch

Switches between the DJ mode and PRODUCTION mode. DJ mode: For a punchy sound suited for DJ applications. PRODUCTION mode: For flat frequency response that accurately reproduces the input sound.

## CAUTION

The **POWER** switch on this unit will not completely shut off all power from the AC outlet. Since the power cord serves as the main disconnect device for the unit, you will need to unplug it from the AC outlet to shut down all power. Therefore, make sure the unit has been installed so that the power cord can be easily unplugged from the AC outlet in case of an accident. To avoid fire hazard, the power cord should also be unplugged from the AC outlet when left unused for a long period of time (for example, when on vacation).

D3-4-2-2-2a\*\_A1\_En

## CAUTION

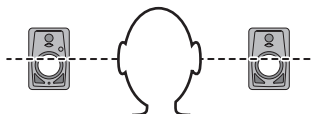
- This product is provided with an auto standby function. If a state of no sound continues for a set time (approximately 10 hours) during use, the product automatically turns off the POWER indicator and enters Standby mode with low power consumption.
- When an audio signal is input in Standby mode, the product automatically enters Power-on mode.
- This auto standby function cannot be disabled.

# Installation and connections

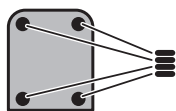
## How to install

A speaker's playback sound is delicately influenced by conditions in the listening room. To produce optimum listening conditions, take due consideration of the conditions of your installation location before beginning actual installation.

- Place the speakers at ear level.
- For a natural stereo effect, the right and left speakers should be installed in symmetrical and equidistant positions from the listening position.



- To prevent sliding, apply the supplied cushions to the bottom of the speakers.

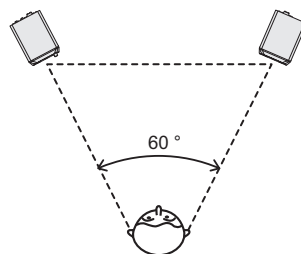


### WARNING

Store small parts out of the reach of children and infants. If accidentally swallowed, contact a doctor immediately.

D41-6-4\_A1\_En

- The speakers should ideally be placed at an angle of 30° to the left and right (for a total of 60°) from the listening position, and facing inward.



### VENTILATION CAUTION

When installing this unit, make sure to leave space around the unit for ventilation to improve heat radiation (at least 15 cm at top, 15 cm at rear, and 15 cm at each side).

### WARNING

Slots and openings in the cabinet are provided for ventilation to ensure reliable operation of the product, and to protect it from overheating. To prevent fire hazard, the openings should never be blocked or covered with items (such as newspapers, table-cloths, curtains) or by operating the equipment on thick carpet or a bed.

D3-4-2-1-7b\*\_A1\_En

## Connections

- Disconnect the power cord before making or changing connections.
- Read the instruction manuals for the devices you are going to connect with the speakers.
- Connect the power cord after all the connections are complete.
- Use the supplied power cord.
- The input signals to the RCA and STEREO MINI input terminals are mixed, so please beware of the volume level.

## Connecting cords

Connect the supplied speaker cord to the speakers.

- 1 Strip about 1 cm of the head of the supplied speaker cord and twist and remove the exposed insulator.**

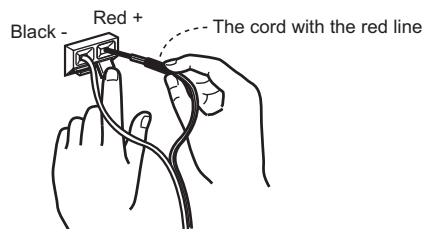
After removing the insulator, thoroughly twist the core wires.



- 2 Connect the supplied speaker cord to the speaker terminals on the LEFT and RIGHT sides.**

- 3 Insert the core wires into the terminals while pressing the claw on the speaker terminal.**

Connect the speaker cord with the red line into the + terminal side (red) and the speaker cord without the red line into the - terminal side (black).



## CAUTION

- After connecting to the terminals, lightly pull the speaker cord to make sure that heads of the speaker cord are securely connected to the terminals. A loose connection might cause audio output to be interrupted or noise to be output.
- When connecting the speaker cord, thoroughly twist the core wires, and make sure that the core wires are not protruding out of the speaker terminals. Core wires protruding out of the speaker terminals may come into contact with the rear panel or with each other. This may cause an excessive load to be placed on the amplifier which results in operation stopping or a malfunction.
- If a mistake is made with the polarities (+, -) on the LEFT and RIGHT sides when connecting the LEFT and RIGHT speaker cord, normal stereo effect can no longer be obtained.

---

---

# Additional information

---

---

## Troubleshooting

If you think something is wrong with the speakers, check the information below and refer to the **[FAQ]** for the DM-40D at the URL below.

[pioneerdj.com/support/](http://pioneerdj.com/support/)

- Inspect devices connected with the speakers.
- The speakers may restore proper operation after you turn it off and on.

If the problems continue, read the "Precautions for Use" and consult an authorized service company or your dealer.

Problem	Check	Measures
The power is not turned on.	Is the power cord properly connected?	Plug in the power cord to an AC outlet.
No sound is output or the sound is low.	Is the connected device set properly?	Set the devices external input and volume properly.
	Are the connection cables properly connected?	Connect the connection cables properly.
	Are the terminals and plugs dirty?	Clean the terminals and plugs before making connections.
	Is the volume set to the proper position?	Turn the [LEVEL] knob on the front panel of the speaker clockwise to increase the volume.
	Is the power turned on?	Turn on the [POWER] switch on the rear panel of the speaker.
The POWER indicator (white) does not light.	Is the power turned on?	Turn on the [POWER] switch on the rear panel of the speaker.
	Are the speakers in Standby mode?	Turn off the [POWER] switch on the rear panel of the speaker and then turn it back on after a few seconds.
The speakers wouldn't recover (power-on) from Standby mode.	Is the input signal level low?	Increase the input signal level.
The sound is affected by distortion.	Is the volume set to the proper position?	Turn the [LEVEL] knob on the front panel of the speaker counterclockwise to reduce the volume.
	Is the input level from the connected device appropriate?	Adjust the output level of the connected device properly.
Unwanted noise is heard. (It continues sounding loud.)	Is the volume set to the proper position?	Turn the [LEVEL] knob on the front panel of the speaker counterclockwise to reduce the volume.
The sound is only output from the left speaker.	Is the speaker cord connected properly?	Connect the left and right speakers properly.
The sound is only output from one speaker.	Is the device connected properly?	Connect the device to both the left and right input terminals.
The power turns off (Standby mode) automatically.	Did a state of no sound continue for approximately 10 hours or longer?	Input signals from the RCA or stereo mini plug input terminal.
	Is the input signal level low?	Increase the input signal level.
The sound is interrupted or unwanted noise can be heard.	Is there a contact problem with the connection cables?	Reconnect the connection cables.

---

---

## Trademarks and registered trademarks

- Product, technology and company names, etc. mentioned herein are trademarks or registered trademarks of their respective owners.

---

---

## Specifications

Type.....	2-Way Active Speaker
<b>Amplifier</b>	
Amplifier type.....	Class D with DSP
Amplifier output.....	Lch: 19 W / 4 Ω, Rch: 19 W / 4 Ω
Input terminals (unbalanced input).....	RCA pin jacks × 1, 3.5 mm stereo mini jack × 1
Input impedance.....	10 kΩ
Output terminal.....	3.5 mm stereo mini jack × 1
<b>Speaker</b>	
Enclosure.....	Bass reflex
Enclosure material.....	MDF vinyl laminate
Woofer (LF driver).....	4" (102 mm) cones
Tweeter (HF driver).....	3/4" (19 mm) soft dome
<b>Power unit / other</b>	
Supported voltages.....	AC 110 V – 240 V, 50 Hz / 60 Hz
Power consumption.....	20 W
Power consumption during standby mode.....	0.3 W or less
Max. dimensions	
..... (W × H × D) Lch: 146 × 227 × 223 mm / 5.75" × 8.94" × 8.78", Rch: 146 × 227 × 212 mm / 5.75" × 8.94" × 8.35"	
Weight.....	Lch: 2.5 kg / 5.5 lbs., Rch: 2.2 kg / 4.9 lbs.

The specifications and design of this product are subject to change without notice.

© 2022 AlphaTheta Corporation. All rights reserved.

---

## AlphaTheta Corporation

6F, Yokohama i-Mark Place, 4-4-5 Minatomirai, Nishi-ku, Yokohama, Kanagawa 220-0012 JAPAN

## AlphaTheta株式会社

〒220-0012 神奈川県横浜市西区みなとみらい4丁目4番5号 横浜アイマークプレイス6階

## Корпорация АльфаТета

6F, Йокогама i-Mark Place, 4-4-5 Минатомирай, Ниси-ку, Йокогама, Канагава 220-0012 ЯПОНИЯ

## AlphaTheta EMEA Limited

Artemis Building, Odyssey Business Park, West End Road, South Ruislip, Middlesex, HA4 6QE, U.K. TEL: +44-203-7617-220

## AlphaTheta Music Americas, Inc.

2050 W. 190th Street, Suite 109, Torrance, CA 90504, U.S.A. TEL: +1 (424) 488-0480

AT\_001\_all\_01

<DRI1753-A>