

■ DESCRIPTION

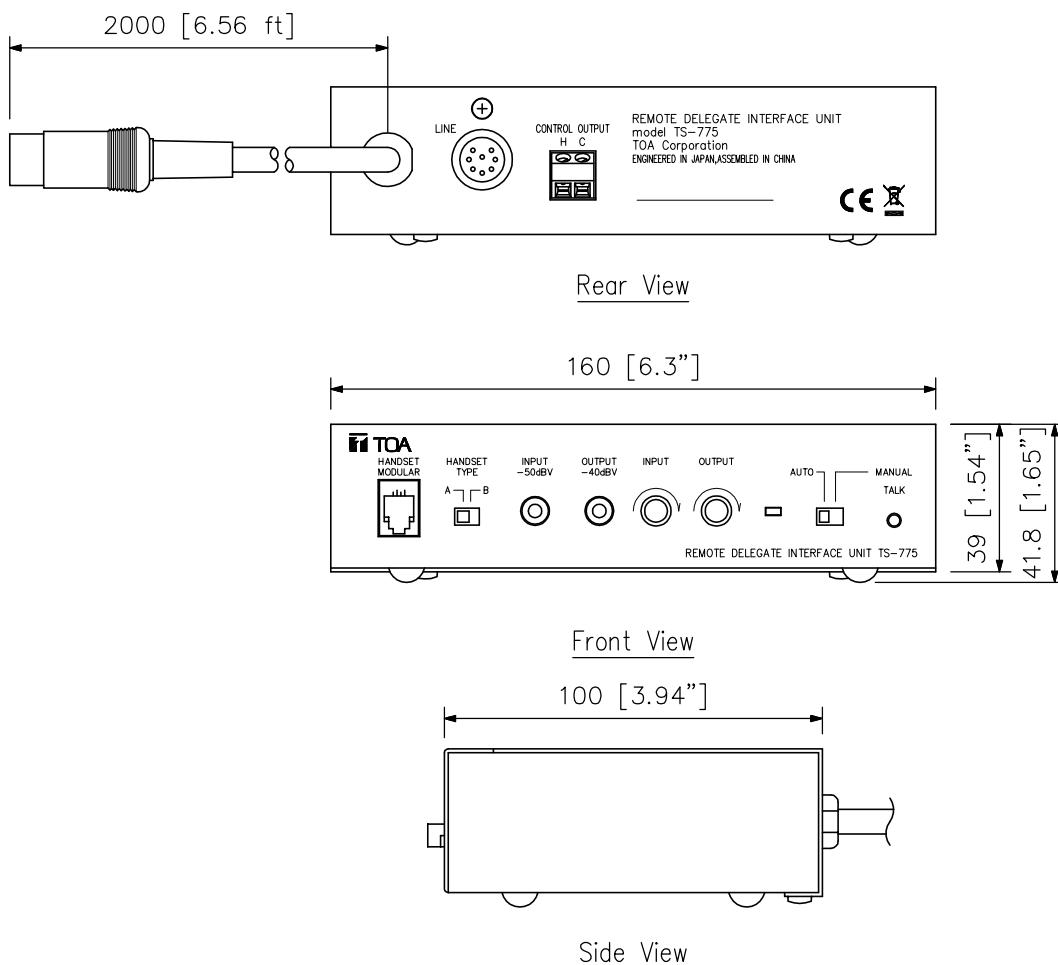
The TS-775 is a Remote Delegate Interface unit for TOA Conference system designed to allow remote parties to participate in conferences via telephone or PC connected to it.

■ SPECIFICATIONS

\* 0 dB = 1 V

Power Source	35 V DC, 30 mA or less (supplied from Central Unit)
Input	-60 dB*, 200 Ω, balanced, mini phone jack with VR control
Output	-60 dB*, 22 Ω, balanced, mini phone jack with VR control
Speech Mode	AUTO: Voice-activated Automatic switching MANUAL: Talk key on-off switching
Operating Temperature	0°C to +40°C (32°F to 104°F)
Operating Humidity	90% RH or less (no condensation)
Finish	Pre-coated steel plate, black
Dimensions	160 (W) × 41.8 (H) × 100 (D) mm (6.3" × 1.65" × 3.94") (excluding projection)
Weight	700 g (1.54 lb)

■ APPEARANCE



UNIT:mm SCALE:1/2