



## MMK 965 Microphone Head



This microphone head with a true condenser capsule in large-diaphragm technology showcases Sennheiser's unrivaled experience in the fields of acoustics and stage technology. Its powerful, high-definition sound makes it one of the best microphone heads of all time. Because of its dual-membrane technology, the pick-up pattern can be switched between cardioid and super-cardioid.

### PRODUCT VARIANTS

<b>MMK 965-1 BK</b>	black	Art. no. 502582
<b>MMK 965-1 NI</b>	nickel	Art. no. 502584

### DELIVERY INCLUDES

- MMK 965-1 microphone head
- thread protection
- pouch
- instruction manual

### SPECIFICATIONS

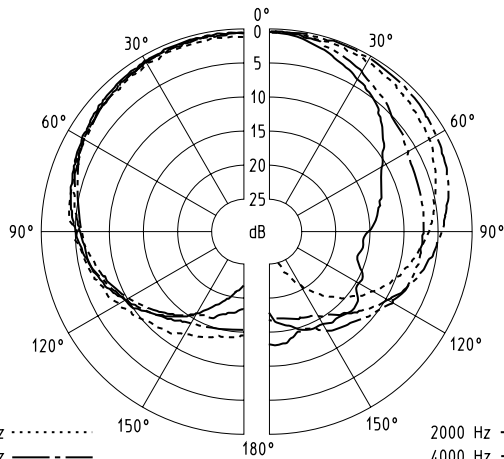
Transducer principle	externally polarized dual diaphragm condenser microphone
Pick-up pattern	cardioid/supercardioid, switchable
Sensitivity (free field, no load) (1 kHz)	7.0 mV/Pa
with preattenuation	2.2 mV/Pa (factory setting)
Max. SPL at 1 kHz	144 dB
with preattenuation	154 dB (factory setting)
Dynamic range	126 dB(A)
Diameter of diaphragm	2.54 cm (1")
Frequency response	40 to 20,000 Hz
Equivalent noise level A-weighted (DIN IEC 651)	18 dB
Weight	162 g



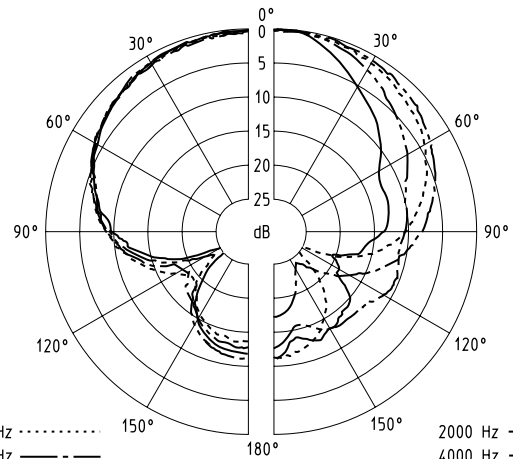
# MMK 965 Microphone Head

## POLAR PATTERN

### cardioid

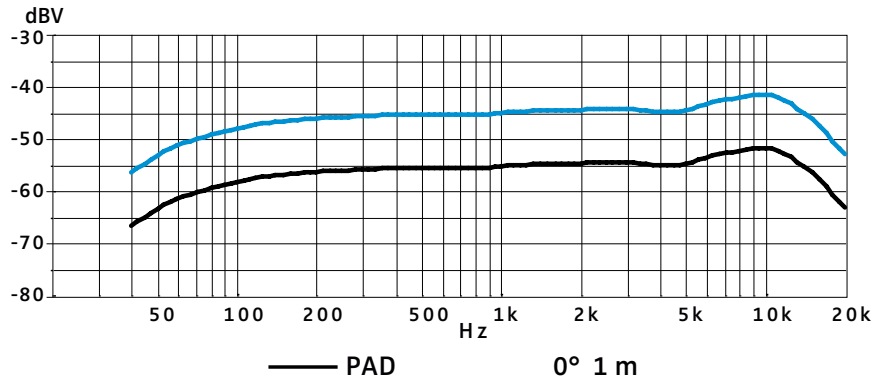


### supercardioid



## FREQUENCY RESPONSE

### cardioid



### supercardioid

