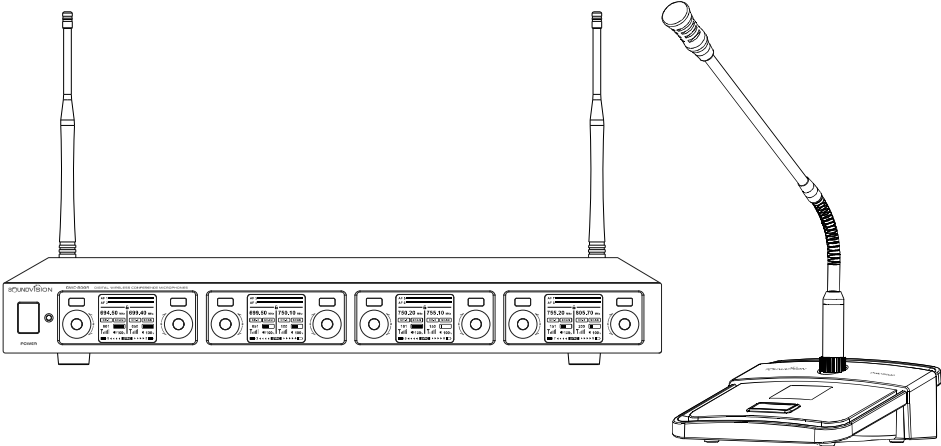




DWC-800 SERIES



DIGITAL WIRELESS CONFERENCE MICROPHONE SYSTEM

8 Channels

USER MANUAL

CONTENTS

INTRODUCTION	2
FEATURES	2
RECEIVER	3
CONTROL KNOB	4
RECEIVER TFT FUNCTIONS SETTING	5
MICROPHONE CONFERENCE TRANSMITTER	6
DISPLAY TRANSMITTER	7
RECEIVER OPERATION	8
SPECIFICATION	9
WARNING	10

CAUTION!

Please do read this manual carefully before using. Wireless microphones can scatter radio energy, please do follow the instruction to install and operate in case causing harmful influence. Do abide local radio regulations when using wireless microphones. We can offer you frequency products, and please choose specific range according with local radio regulations; otherwise, you will take full responsibility of all consequences.

INTRODUCTION

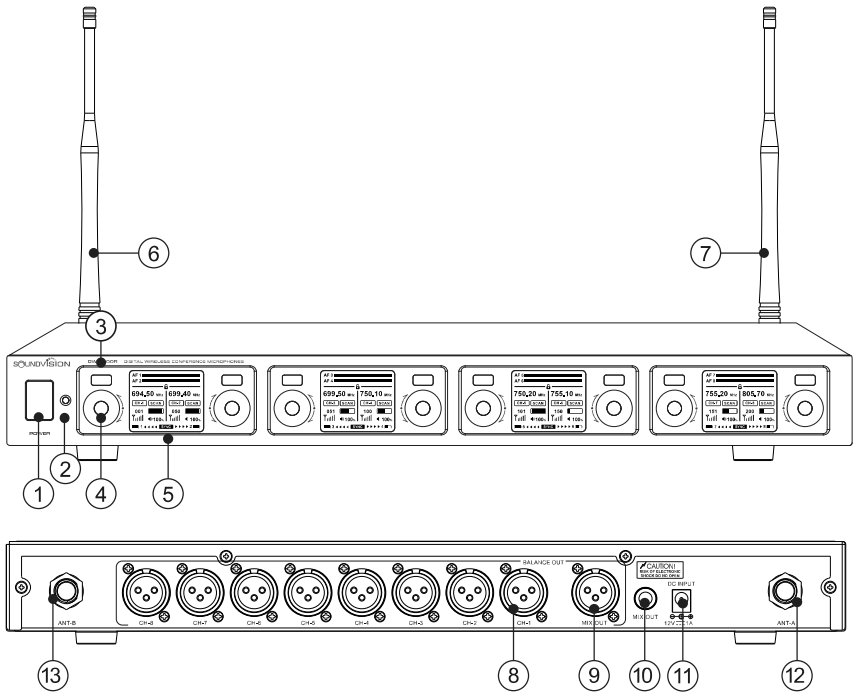
DWC-800 Series Digital wireless conference microphone system 8 Channels the technology for good sound quality flexibility performance frequency response and accurate sound reproduction for a wide variety of applications, such as meeting rooms, public relations, education institutions, to provide users with an exceptional performance features contemporary design element to enhanced convenience and consistent sound.

FEATURES

- UHF 694.5 ~ 805.7MHz Frequency Range
- 8 Channels adjustable frequency.
- 2 groups CH-A (1, 2, 3, 4) 100CH / CH-B (5, 6, 7, 8) 100CH
- Frequency Response 40Hz-20KHz ± 2 dB
- Auto frequency scanning function, IR frequency SYNC.
- Unique digital bit ID pilot technology, no crosstalk disturbance even the same frequency.
- The receiver is with TFT display while transmitters are with TFT or LCD display.
- All working status can be shown by the display. Electronic volume, digital display.
- The light ring on the microphone head will display the working status.
- Working distance of 60 meters.
- AA 1.5V * 3 battery power supply, support 8 hours.
- Efficient battery design allows the microphone to be used continuously for longer periods of time.

Certifications : CE and RoHS / The DWC-800 Series conforms to standard
| ETSI EN 300 422-1, IEC 62368-1:2020

RECEIVER

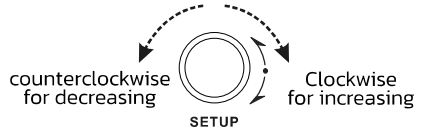


- | | |
|-----------------------|-----------------------------|
| 1. POWER | 8. INDEPENDENCE BALANCE OUT |
| 2. IR WINDOW | 9. MIX. BALANCE AUDIO OUT |
| 3. IR BUTTON | 10. MIX. AUDIO OUT |
| 4. SETUP CONTROL KNOB | 11. DC INPUT |
| 5. TFT DISPLAY | 12. ANT-A |
| 6. ANTENNA - A | 13. ANT-B |
| 7. ANTENNA - B | |

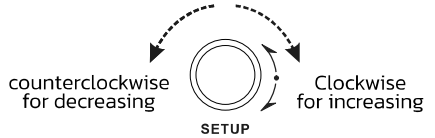
CONTROL KNOB FUNCTION



Press to confirm or enter.

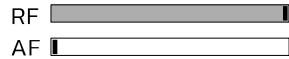
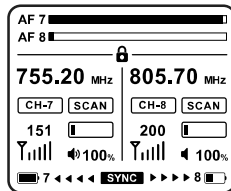


Under "🔒" LOCK status, SETUP knob can only for volume adjusting. Counter clockwise for decreasing, and clockwise for increasing.



Under "🔓" UNLOCK status, the SETUP knob is for choosing the menu. Counterclockwise for move forward, and clockwise for backward

5. RECEIVER TFT DISPLAY



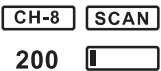
RF: Indicate signal strength, the longer length of the color, the stronger signal.
 AF: Indicate audio level, the longer length of the color, the stronger signal.



Indicates LOCK status. Only IR SYNC and volume adjustment functions are available.

805.70MHz

Indicates current using frequency is 805.70MHz. Frequency of receiver and transmitters must the same



Indicates the current using channel of CH-7 is 151, and CH-8 is 200
 Indicates Auto scanning mode, scan for forward or backward for free frequency. Enter "SCAN" mode for adjusting



Indicates the signal strength.
 Indicates the receiver is in MUTE mode. 100% is the maximum volume

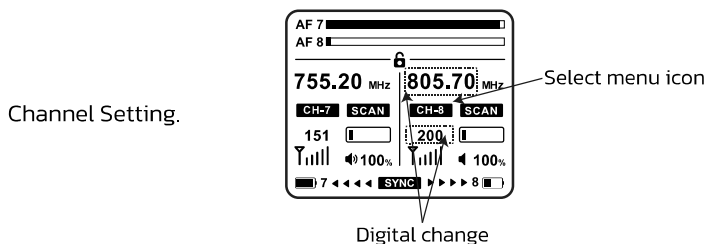


Power of working handheld microphone

RECEIVER TFT FUNCTIONS SETTING

Long press the SETUP knob for setting mode. Multi channels can work together in this system, and each two channels show in the same display. Operation is the same for all TFT display. Please take the operating below for reference.

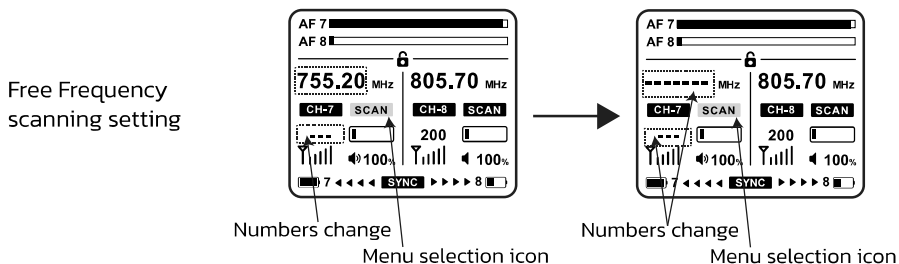
NOTE: This setting is circulation.



Long press the SETUP knob to unlock the system. Screw the control knob to "CH-1" or "CH-2" and press to confirm entering setting mode.

Clockwise rotation is for increasing while counterclockwise is decreasing. The frequency would change accordingly. Once selected, press the IR button to pair the function.

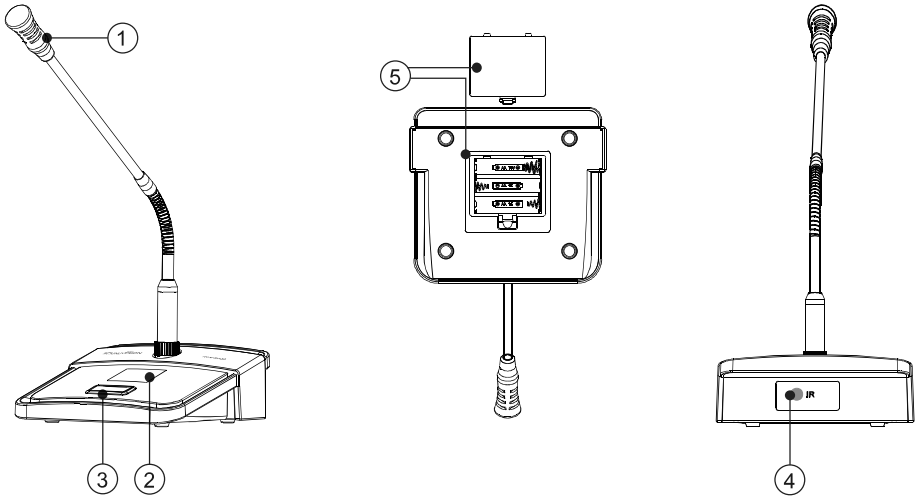
Note: it is recommended to use the factory setting frequency. Unless there is external interference when it is used.



Long press the SETUP knob to unlock the system. Screw the control knob to "CH-1" or "CH-2" and press to confirm entering "SCAN" mode.

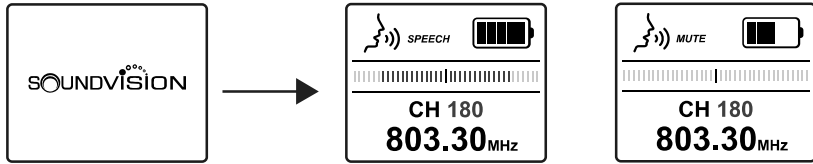
Clockwise rotation is for increasing while counterclockwise is decreasing. The frequency would change accordingly. Once selected, press the IR button to pair the function.

MICROPHONE CONFERENCE TRANSMITTER



- MICROPHONE : pick up sound.
- TFT DISPLAY : indicates microphone working status.
- POWER BUTTON : controls the handheld microphone to be power on, off, and mute.
- IR WINDOW : SYNC IR signal with receiver IR window.
- BATTERY COVER : when changing batteries. (3 x1.5V AA battery)

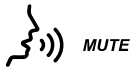
DISPLAY OF MICROPHONE CONFERENCE TRANSMITTER



Press the POWER button slightly, and the transmitter turns to working status automatically after LOGO shows on the display. Quick press the POWER button and it will on MUTE status.



SPEECH status green show icon.



MUTE status red show icon.



Battery status



AF signal: the more alight grid,the louderthe sound

CH 180

Indicates the current using channel is 180

803.30MHz

Indicates the current using frequency is 803.30MHz

RECEIVER OPERATION

Pull out the antenna (6), (7) and make them perpendicular to the receiver.

Connect the power:

Connect the power cable to the DC socket(11) of the receiver ,make sure the adaptor is suitable before using the receiver.

Connect the audio cable:

Mix Output: connect the audio cable(attached) to the OUTPUT socket(10) while the other side connect to MIX.IN or AUX. IN the socket of the mixer or amplifier.

Balanced Output : connect the balanced audio cable (purchase additionally) to the BALANCED socket (9) while the other side connect to MIX. IN or AUX. IN the socket of the mixer or amplifier.

Turn on the power button(1), receiver is ready to work once TFT display(5) lights up

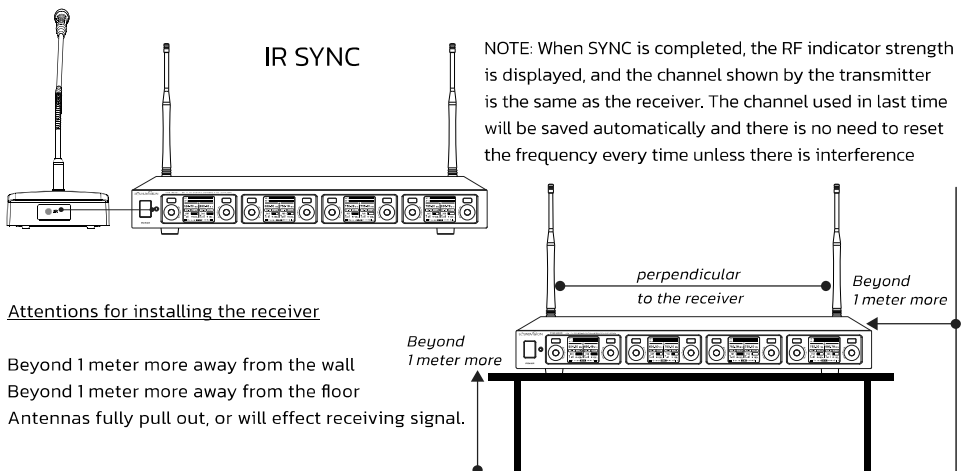
According to the function requirements and then press the SETUP knob to select the corresponding function (specific function description please detailed receiver TFT display function description)

Frequency matching mode is as shown in the following picture.

Press the IR button when the receiver in on working status.

The IR LED will flash when the receiver is sending infrared signals.

The receiver will automatically switch to the working status after completing the above operation.



DWC-800 SERIES DIGITAL WIRELESS CONFERENCE MICROPHONE SYSTEM

SPECIFICATIONS

DWC-800R RECEIVER

Channel number	8
Channel group	CH-A (1, 2, 3, 4) (100CH) CH-B (5, 6, 7, 8) (100CH)
Frequency Range	UHF 694.5-702.7MHz, UHF 748.3-757.7MHz, UHF 803.3-805.7MHz
Modulation Mode	DQPSK
Frequency Response	40Hz-20KHz±2dB
Frequency Stability	±10ppm
Max. Deviation Range	± 25 KHz
S/N Ratio	>90dB
T.H.D	<0.5%@1KHz
Sensitivity	>7dBuV@S/N=40dB
Image Interference Ratio	>100dB
Audio Output	Independent: 800mV Mixed: 400mV
Consumed Power	7W
Power Supply	DC 12V~18V

DWC-800D Transmitter

Frequency Range	UHF 694.5-702.7MHz, UHF 748.3-757.7MHz, UHF 803.3-805.7MHz
Frequency response	40Hz-20KHz±2dB
Frequency Stability	±10ppm
Frequency Switching	IR SYNC
Sensitivity	-43±3dB@1KHz
Max. deviation Range	±30KHz
Dynamic range	90dB
Type	Condenser
Polar pattern	Super cardioid
Gooseneck mic length	500mm
S/N Ratio	>90dB
F/N Ratio	>80dB
Transmitter power	15mW
Power consumption	100mA
Battery Voltage	4.5V (1.5V AA*3)
Battery Life (Alkaline Type)	approx 8 hours



- Do place receiver in open space, so that it can receive signals better.
- Do not throw the device.
- Do not place the device under rain or drop it into water.
- Keep device away from sunshine or electromagnetic field.
- Do insert batteries in the right way and remove them if device is idle for long time.
- Cut off power the supply before battery replacement.
- Pull out power adaptor from the power supply if the receiver is idle for long time.
- Do not take apart device without permission in case users are injured.
- Device does not contain any part for self-refuting, otherwise, the warranty will be void.
- Use soft cloth to clean device, if there is any stubborn stain, clean it with neutral detergent but not volatile gasoline or thinner.
- Keep at least 30CM space around device for better ventilating.
- Do not cover ventilation holes with paper, tablecloth or curtain.
- Do not put the fire on device like burning candle.
- Keep device away from water drops, or any container with liquid like vase.
- Do not use new and old batteries at the same time, besides, replace them with same kind batteries. Discarding batteries to specific recycling bin.
- Working temperature: 5°C – 60°C

Please try below methods to solve interfered problem when using wireless microphones

- Adjust place or direction of the antenna.
- Keep away from radio or TV.
- Do not plug into same electrical socket outlet with radio or TV.
- The best angle is 45°C for mouth and microphone when speech, in order to reduce affected by airflow from the mouth.
- Using 1 microphone when 1 sound input, otherwise sound will be mixed.
- Keep a distance of mouth and microphone less than 15CM because of cardioid pickup, otherwise bass is not good.

TRADEMARK AND LICENSES



SOUNDVISION[®] is a trademark of SOUND VISION CO., LTD. registered in the Thailand,China,Laos and other countries. Names are trademarks or registered trademarks of their respective owners.

SOUND VISION CO., LTD.

9 Chaiyaphruek Rd.,Taling Chan,Taling Chan,
Bangkok 10170 Thailand

Support : 02-433-9988 LINE Official : @soundvisionpro
Email : info@soundvision.co.th www.soundvisionpro.com



CE RoHS
compliant